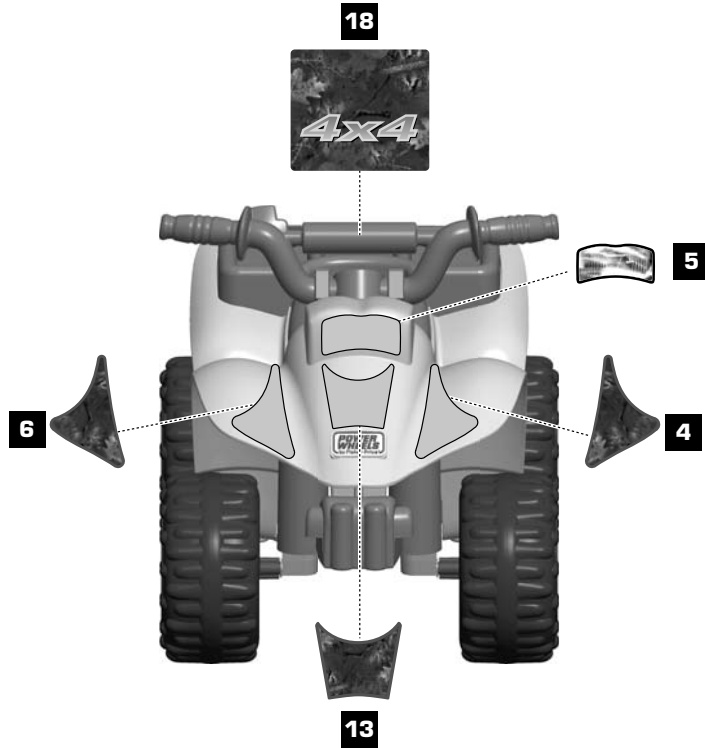




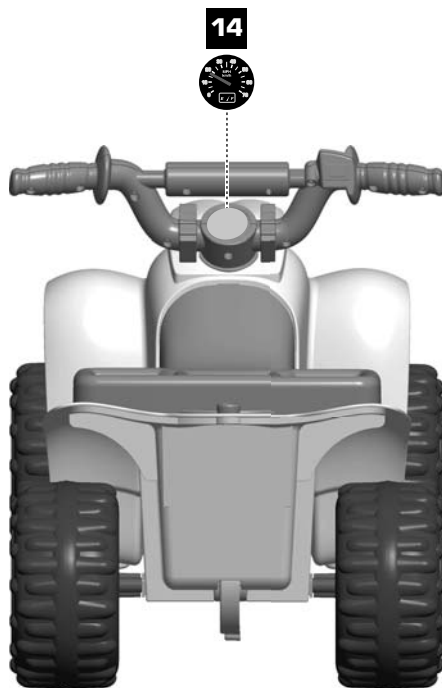
DECORATION

For Model X3050

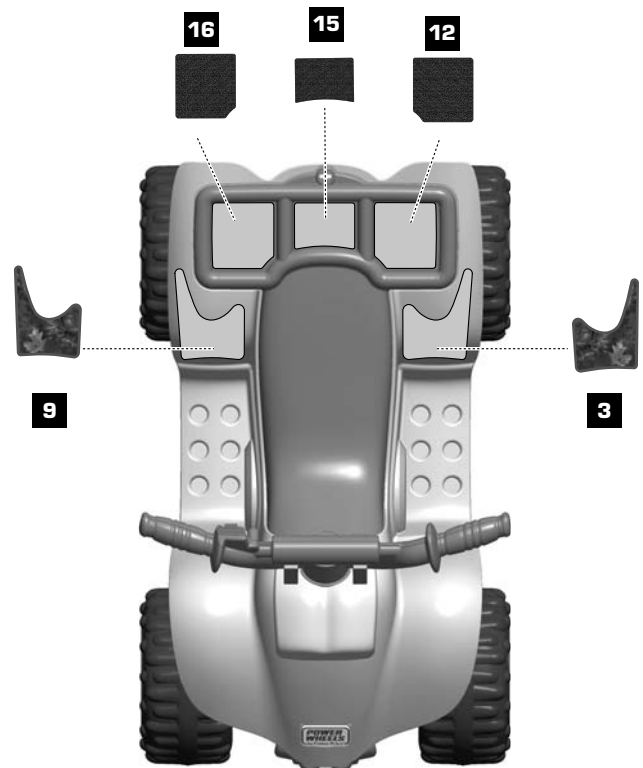
- Wipe the vehicle with a clean, dry cloth to remove any oils before applying labels.
- Apply labels exactly as shown in the illustrations. For best results, avoid repositioning the label after it has been applied.
- Starting at the center of a label rub firmly with a dry cloth, and smooth towards the outer edges to remove air bubbles.



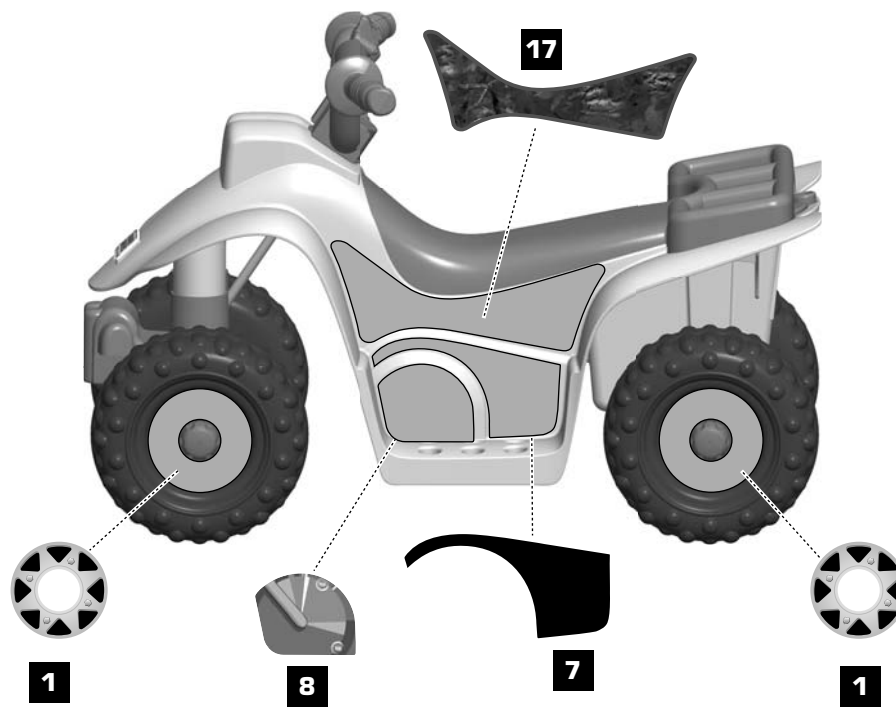
FRONT VIEW



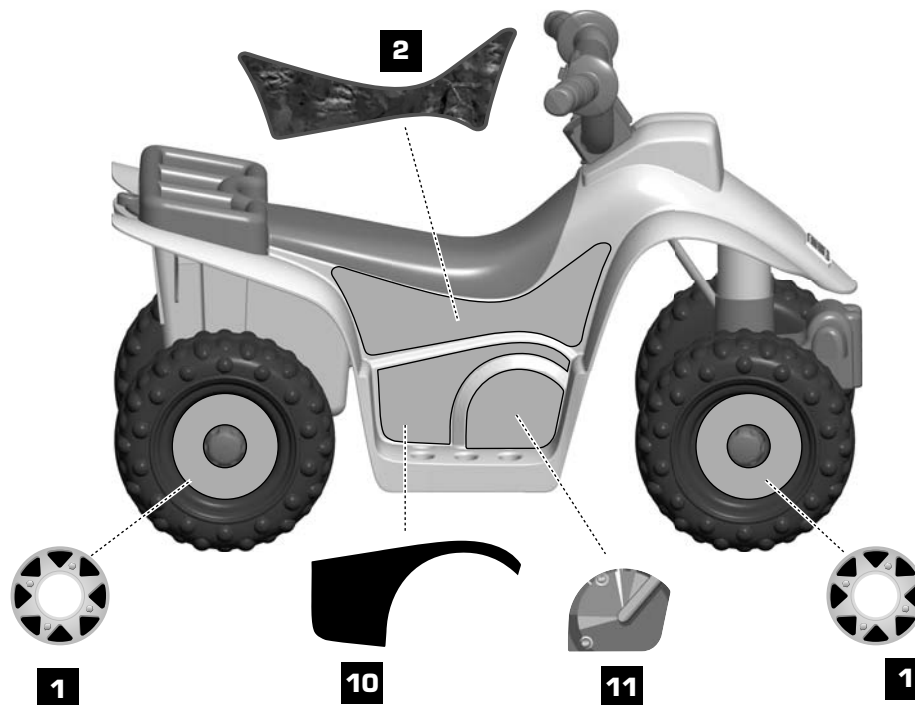
REAR VIEW



TOP VIEW



RIGHT SIDE VIEW



LEFT SIDE VIEW