

**Fisher-Price®**

**R8931**



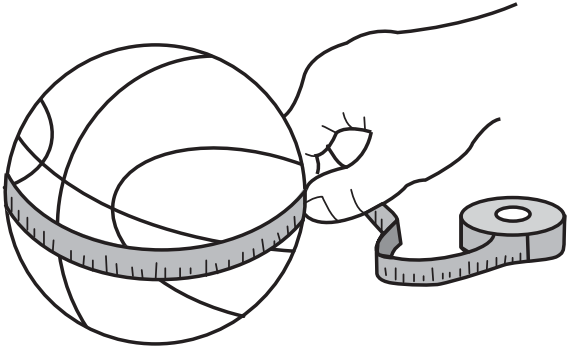
Product features and decoration may vary from the photograph above.

[www.fisher-price.com](http://www.fisher-price.com)

# Consumer Information

- Please keep this instruction sheet for future reference, as it contains important information.
- Adult assembly is required.
- Tool required for assembly: Phillips Screwdriver (not included).
- Water or sand to fill base (not included).

**IMPORTANT!** Rim height should be adjusted only by an adult.



- This toy includes an inflatable ball. If the ball becomes soft, inflate it with a standard, hand-operated air pump with a standard air needle (both not included).
- The ball will contain the correct amount of air when its circumference measures 21 to 22 inches. Measure the circumference of the ball with a tape measure or with a piece of string cut 21 to 22 inches long. Do not over-inflate the ball.

## Care

- To clean, use a mild soap and water solution and clean cloth. Rinse clean with warm water to remove soap residue.
- Be sure to drain water from the base before extended storage. If water freezes in the base, it could cause damage.
- Check all fasteners regularly to be sure they are tight. If the fasteners are not tight, tighten them as necessary.
- Check plastic parts regularly and if broken or cracked, dispose of them properly.



## CONSUMER ASSISTANCE

1-800-432-5437 (US & Canada)  
1300 135 312 (Australia)

**service.fisher-price.com**

Fisher-Price, Inc., 636 Girard Avenue, East Aurora, NY 14052.  
Hearing-impaired consumers: 1-800-382-7470.

Outside the United States:

Canada: Mattel Canada Inc., 6155 Freemont Blvd.,  
Mississauga, Ontario L5R 3W2; [www.service.mattel.com](http://www.service.mattel.com).

Great Britain: Mattel UK Ltd, Vanwall Business Park,  
Maidenhead SL6 4UB. Helpline: 01628 500303.  
[www.service.mattel.com/uk](http://www.service.mattel.com/uk)

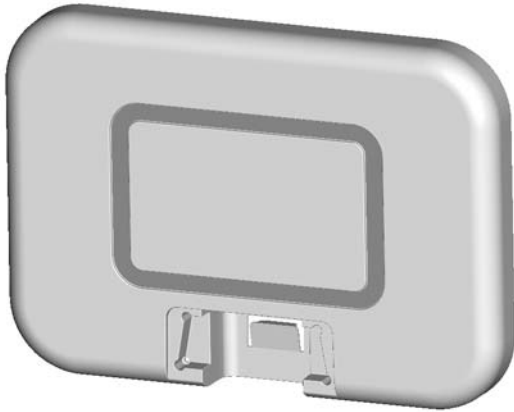
Mattel Europa, B.V., Gondel 1, 1186 MJ Amstelveen, Nederland.

Australia: Mattel Australia Pty. Ltd., 658 Church Street,  
Locked Bag #870, Richmond, Victoria 3121 Australia.

New Zealand: 16-18 William Pickering Drive,  
Albany 1331, Auckland.

# Assembled Parts

Hint: Some parts were placed inside the lower post for shipping.



**Backboard**



**Rim Assembly**



**Upper Post**



**Lower Post**



**Base**

Note: Label sheet not shown.



## CAUTION

This product contains small parts in its unassembled state. Adult assembly is required.

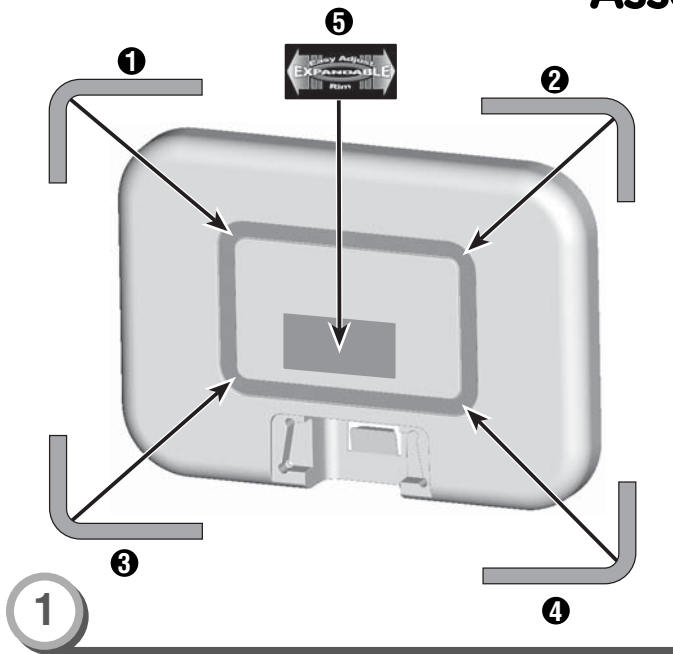


#8 x 3/4" Screw - 4

## SHOWN ACTUAL SIZE

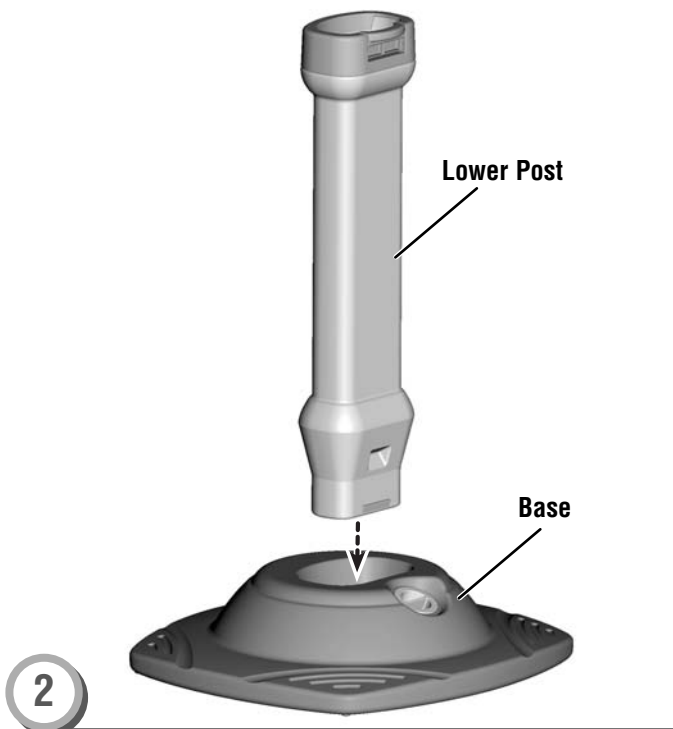
**Note:** Tighten all screws with a Phillips screwdriver. Do not over-tighten the screws.

# Assembly

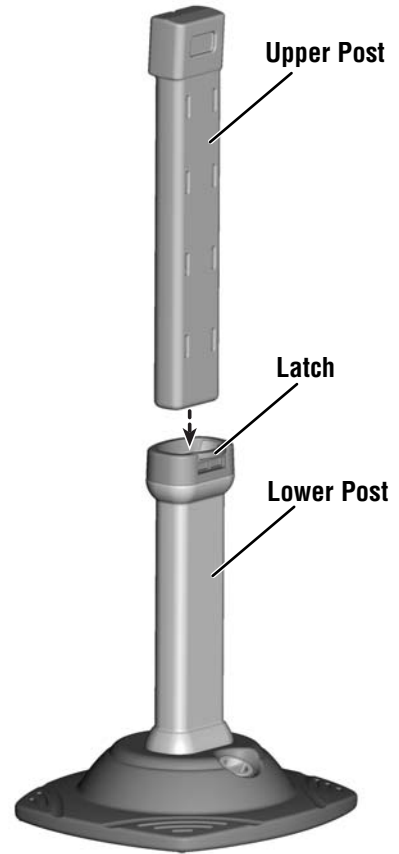


- Carefully peel a label from the label sheet and apply it to the backboard, as shown.
- Smooth out the label to remove any air bubbles.
- Repeat this procedure to apply the remaining labels to the backboard.

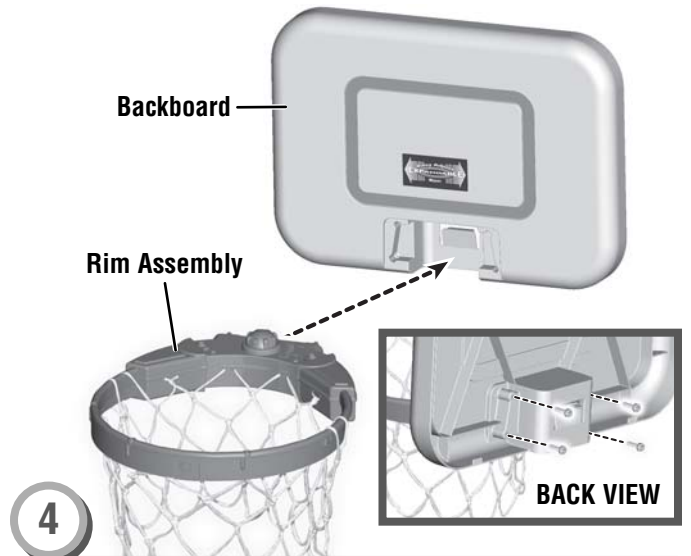
*Hint: The labels are designed to overlap.*



- Insert and **"snap"** the lower post into the base.
- Pull up on the post to be sure it is secure in the base.

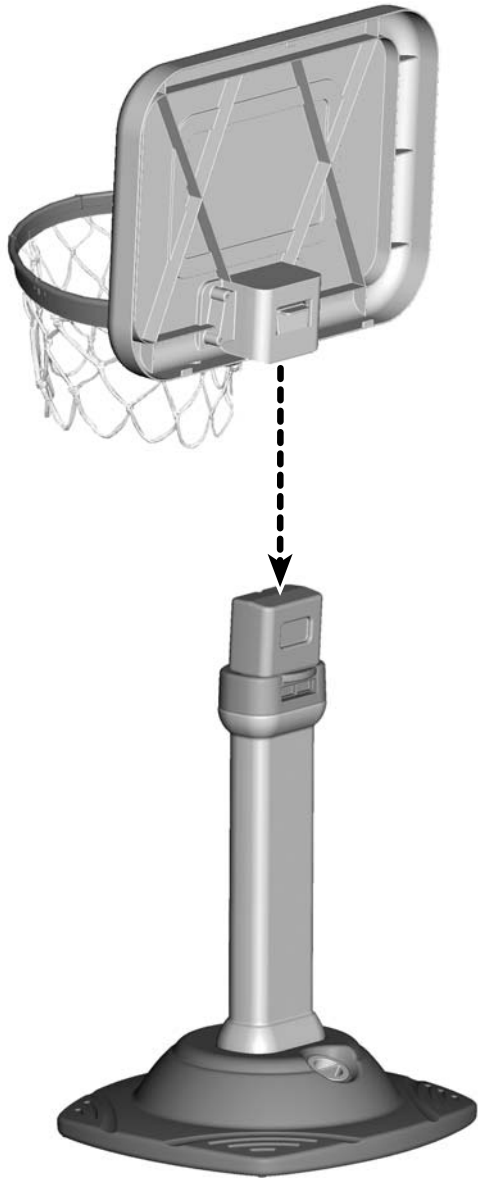


- Flip down the latch on the lower post.
- Insert the upper post into the lower post.



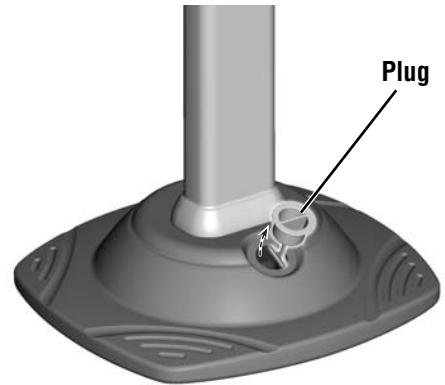
- Fit the rim assembly to the backboard as shown.
- Insert four screws into the holes on the back of the backboard. Tighten the screws.

## Assembly



- Slide the backboard onto the post until it **"snaps"** into place.
- Pull up on the backboard to be sure it is secure on the post.

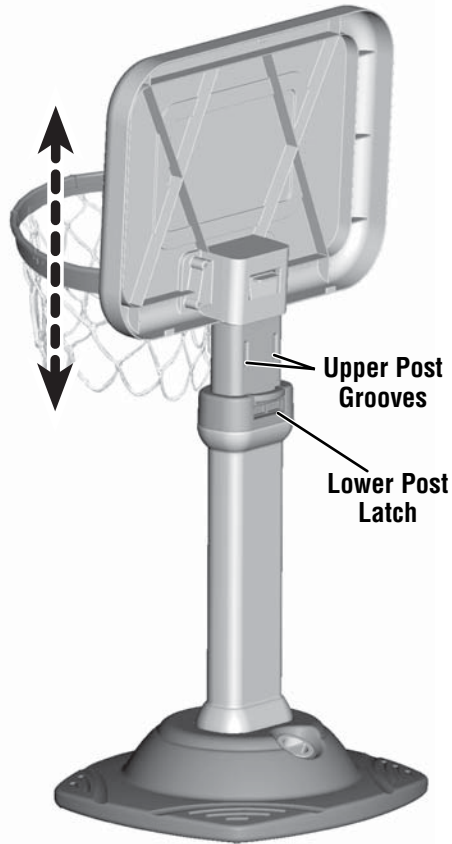
## Setup



- After assembly is complete, fill each base with water or approximately 20 lbs of sand (water or sand not included) to keep this product stationary.
- Simply lift the plug, fill the base and then replace the plug.

## Adjusting Rim Height

**IMPORTANT!** Rim height should **only** be adjusted by an adult. Also, make sure children are not standing below the rim when adjusting the rim height.

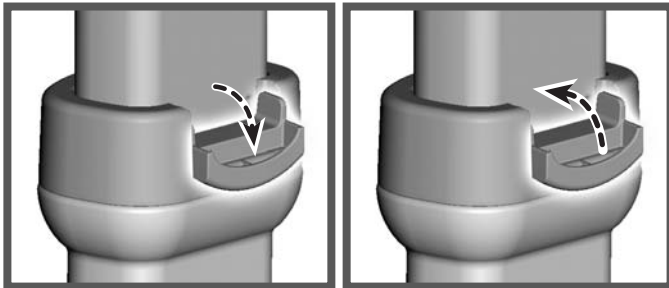


## Adjusting Rim Size



TOP VIEW

- Make the rim larger for beginners or smaller for "pros"! Turn the knob on the rim **counter-clockwise** for a **smaller rim**; **clockwise** for a **larger rim**.



- **To lower the rim height:** While holding the upper post, flip the latch on the lower post down. Lower the upper post and flip the latch into the grooves to secure in place.
- **To raise the rim height:** Simply lift the upper post and flip the latch into the grooves to secure in place.
- After adjusting the rim height, gently push down on the backboard to be sure it is secure.