

Fisher-Price®



Sit & Play



Stand & Cruise

www.fisher-price.com

Assembled Parts



CAUTION

This product contains small parts in its unassembled state. Adult assembly is required.



Monkey



Mirror



Arch End



Center Arch



Ball



Arch End



Tube - 2 Halves



Large Ramp



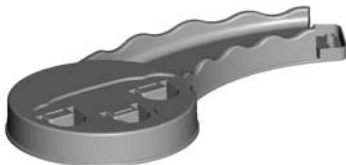
Elephant



Small Ramp



Hippo



Leg



Base

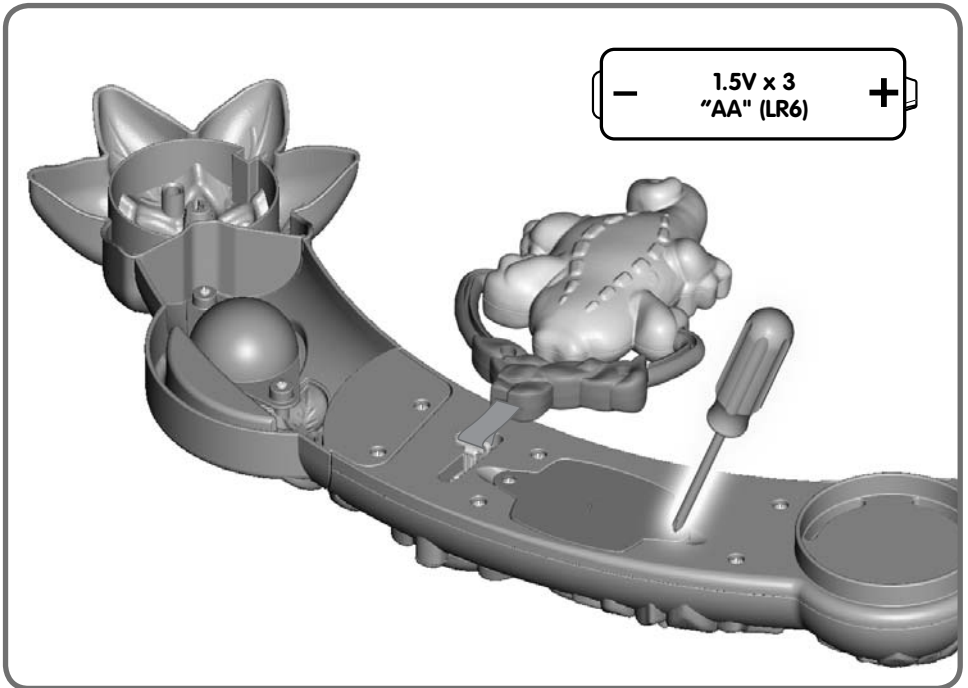


Leg



#6 x 3/4" Screw - 16

Battery Replacement



For best performance, we recommend replacing the batteries that came with this toy with three, new alkaline "AA" (LR6) batteries.

- Locate the battery compartment on the bottom of the arch.
- Loosen the screws in the battery compartment door with a Phillips screwdriver. Remove the battery compartment door. Remove the exhausted batteries and throw them away.
- Insert three, new "AA" (LR6) **alkaline** batteries.

Hint: We recommend using **alkaline** batteries for longer battery life.

- Replace the battery compartment door and tighten the screws with a Phillips screwdriver.
- If this toy begins to operate erratically you may need to reset the electronics. Slide the power/volume switch off and then back on.
- When sounds or lights from this toy become faint or stop, it's time for an adult to change the batteries.



- Protect the environment by not disposing of this product with household waste (2002/96/EC). Check your local authority for recycling advice and facilities (Europe only).

Battery Safety Information

In exceptional circumstances, batteries may leak fluids that can cause a chemical burn injury or ruin your product. To avoid battery leakage:

- Do not mix old and new batteries or batteries of different types: alkaline, standard (carbon-zinc) or rechargeable (nickel-cadmium).
- Insert batteries as indicated inside the battery compartment.
- Remove batteries during long periods of non-use. Always remove exhausted batteries from the product. Dispose of batteries safely. Do not dispose of product in a fire. The batteries inside may explode or leak.
- Never short-circuit the battery terminals.
- Use only batteries of the same or equivalent type, as recommended.
- Do not charge non-rechargeable batteries.
- Remove rechargeable batteries from the product before charging.
- If removable, rechargeable batteries are used, they are only to be charged under adult supervision.

FCC Statement

(United States Only)

This equipment has been tested and found to comply with the limits for a Class B digital device, pursuant to Part 15 of the FCC Rules. These limits are designed to provide reasonable protection against harmful interference in a residential installation. This equipment generates, uses and can radiate radio frequency energy and, if not installed and used in accordance with the instructions, may cause harmful interference to radio communications. However, there is no guarantee that interference will not occur in a particular installation. If this equipment does cause harmful interference to radio or television reception, which can be determined by turning the equipment off and on, the user is encouraged to try to correct the interference by one or more of the following measures:

- Reorient or relocate the receiving antenna.
- Increase the separation between the equipment and receiver.
- Consult the dealer or an experienced radio/TV technician for help.

Note: Changes or modifications not expressly approved by the manufacturer responsible for compliance could void the user's authority to operate the equipment.

This device complies with Part 15 of the FCC Rules. Operation is subject to the following two conditions: (1) this device may not cause harmful interference and (2) this device must accept any interference received, including interference that may cause undesired operation.

ICES-003

This Class B digital apparatus complies with Canadian ICES-003.

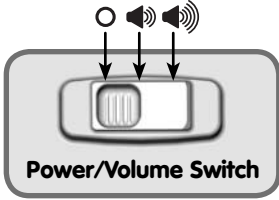
Operation is subject to the following two conditions: (1) this device may not cause harmful interference and (2) this device must accept any interference received, including interference that may cause undesired operation.

NMB-003

Cet appareil numérique de la classe B est conforme à la norme NMB-003 du Canada.

L'utilisation de ce dispositif est autorisée seulement aux conditions suivantes: (1) il ne doit pas produire de brouillage et (2) l'utilisateur du dispositif doit être prêt à accepter tout brouillage radioélectrique reçu, même si ce brouillage est susceptible de compromettre le fonctionnement du dispositif.

A Jungle of Fun!






Monkey balances the balls, then sends them down the ramp for music and lights!

Balls go in the elephant's ears and roll out the trunk

Bat the ball for music and lights

Swing the gator for music and lights

Spin the hippo for peek-a-boo fun

- Slide the power/volume switch under the arch to on with low volume , on with high volume  or, when finished playing, slide the switch off .

Consumer Information



CONSUMER ASSISTANCE

Call toll free: 1-800-432-5437 (US & Canada only)
M-F 9AM to 7PM / SAT 11AM to 5PM (EST)

 service.fisher-price.com

Write to us at: Fisher-Price® Consumer Relations,
636 Girard Avenue, East Aurora, New York 14052.

Hearing-impaired consumers using TTY/TDD equipment,
please call 1-800-382-7470.

For countries outside the United States:

Canada: Mattel Canada Inc., 6155 Freemont Blvd.,
Mississauga, Ontario L5R 3W2; www.service.mattel.com.

Great Britain: Mattel UK Ltd, Vanwall Business Park,
Maidenhead SL6 4UB. Helpline: 01628 500303.
www.service.mattel.com/uk

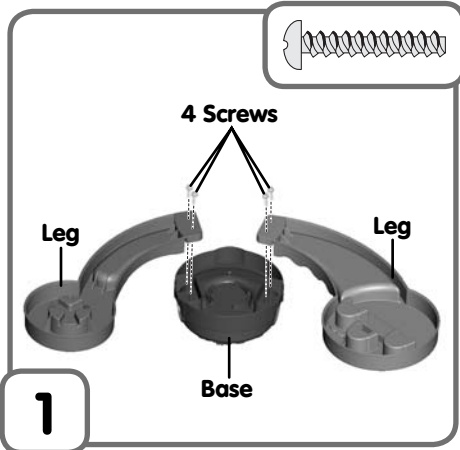
Australia: Mattel Australia Pty. Ltd., 658 Church Street,
Locked Bag #870, Richmond, Victoria 3121 Australia.
Consumer Advisory Service 1300 135 312.

New Zealand: 16-18 William Pickering Drive,
Albany 1331, Auckland.

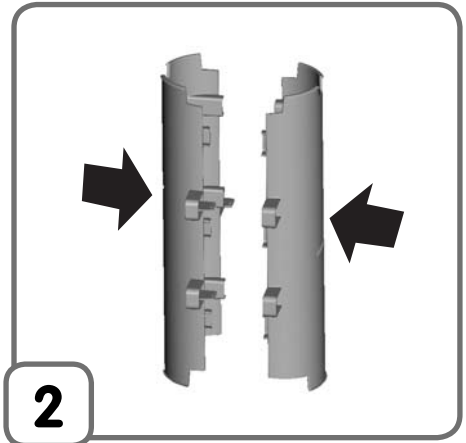
Asia: Mattel East Asia Ltd, Room 1106, South Tower,
World Finance Centre, Harbour City, Tsimshatsui, HK, China.

- Please keep this instruction sheet for future reference, as it contains important information.
- Adult assembly is required.
- Requires three "AA" batteries for operation (included).
- Tool required for assembly: Phillips screwdriver (not included).
- Wipe this toy with a clean cloth dampened with a mild soap and water solution.
- Do not immerse this toy.
- This toy has no consumer serviceable parts. Do not take the toy apart.

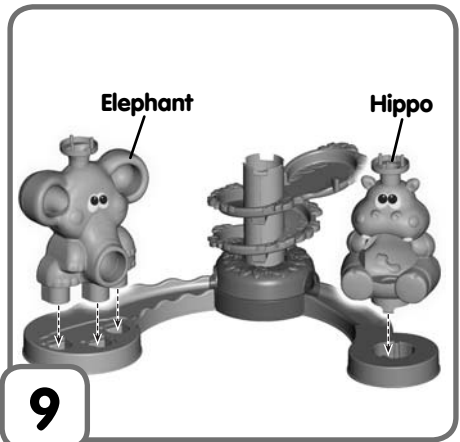
Assembly



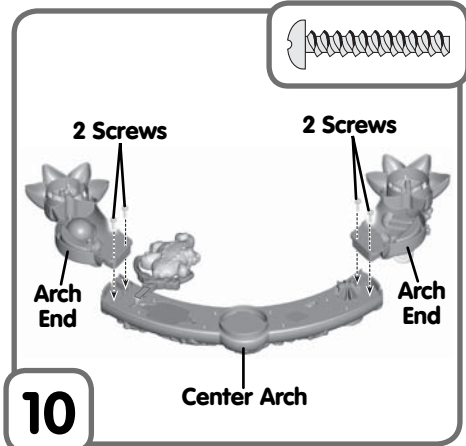
- Fit each leg onto the base.
- Note:** Each leg only fits one way to the base. If it does not seem to fit, try the other side of the base.
- Insert **two screws into the holes in each leg** and tighten.
- Turn the base upright.



- Fit the tube halves together. Push to **“snap”** them in place.

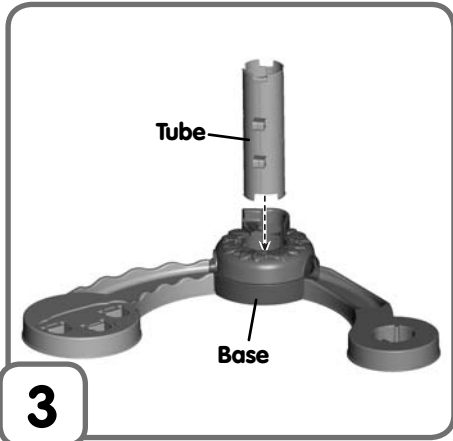


- **“Snap”** the elephant and hippo into the base assembly, as shown.



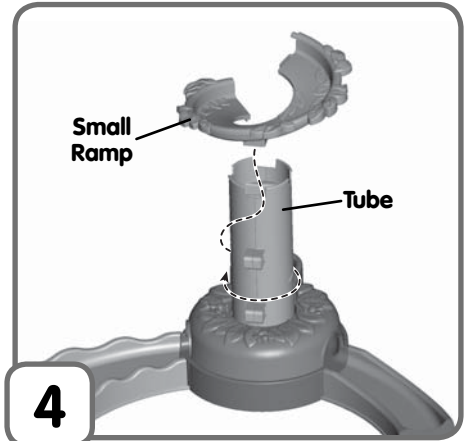
- Note:** We recommend replacing the batteries in the arch before assembling it to the base. Refer to the Battery Replacement section on this sheet.
- Fit each arch end onto the center arch.
- Insert **two screws into each arch end**. Tighten the screws.

Assembly



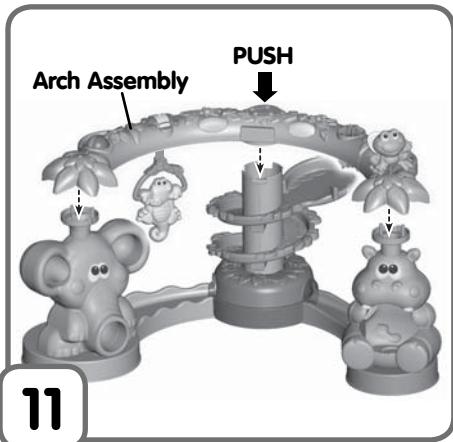
3

- Insert and **“snap”** the tube into the base.
- Note:** The tube only fits into the base one way. If it does not seem to fit, turn it around and try again.



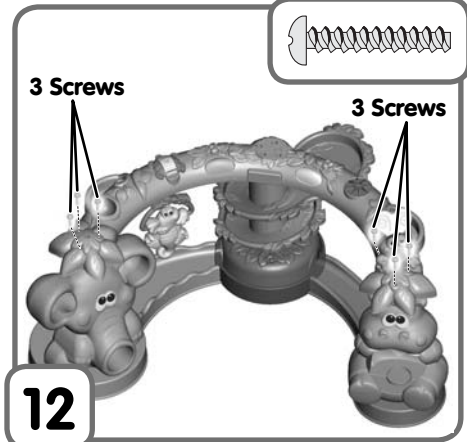
4

- Slide the small ramp onto the tube.
- Turn the small ramp until it reaches the base.



11

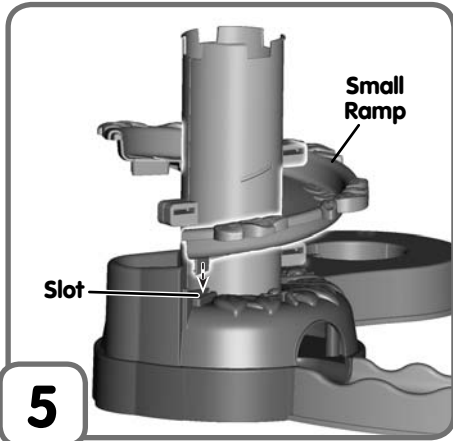
- Fit the center of the arch assembly onto the tube. Push to **“snap”** in place.
- Note:** The arch assembly only fits one way. If it does not seem to fit, turn it around and try again.
- Fit the ends of the arch assembly onto the top of the elephant and hippo.
- Note:** You may need to turn the retainer at the top of the hippo to fit the end of the arch assembly to it.



12

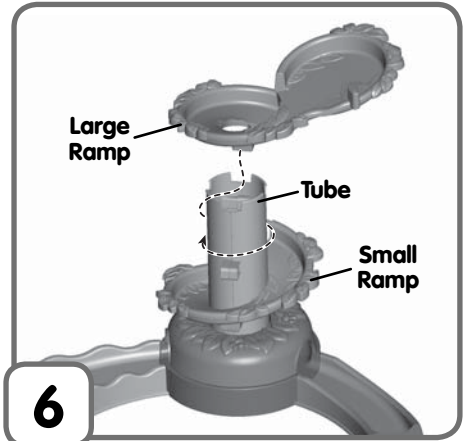
- Insert **three screws into the top of the elephant and the hippo**. Tighten the screws.

Assembly



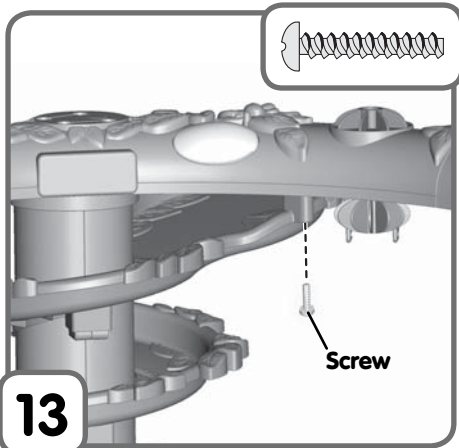
5

- Insert the tab on the end of the small ramp into the slot in the base. Push to **"snap"** in place.



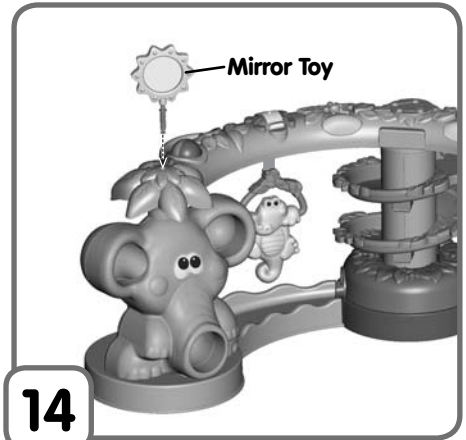
6

- Slide the large ramp onto the tube.
- Turn the large ramp until it reaches the top of the small ramp.



13

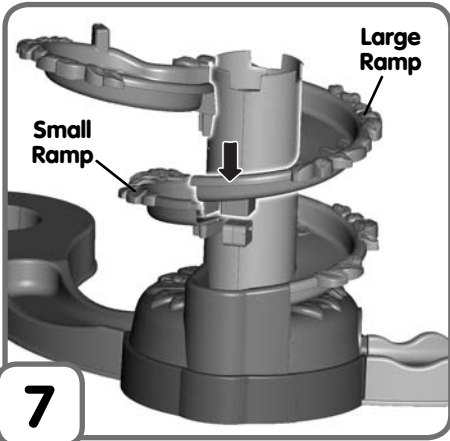
- Insert **one screw** up through the hole in the large ramp and into the arch assembly. Tighten the screw.



14

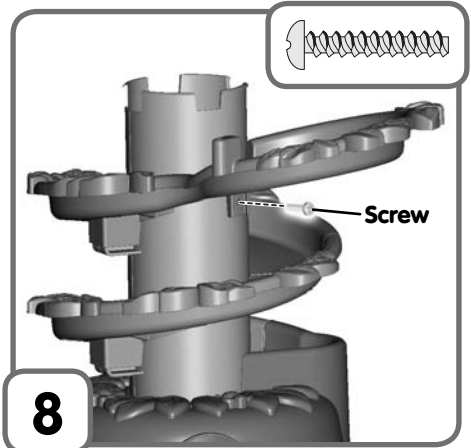
- Remove the film from the mirror toy.
- Insert and **"snap"** the mirror toy into the hole in the arch above the elephant.

Assembly



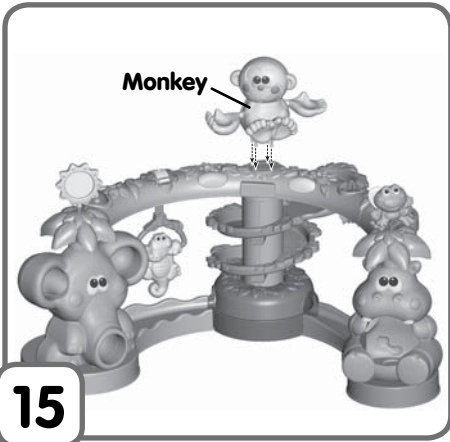
7

- Insert the tab on the end of the large ramp into the slot in the small ramp. Press the ends to **“snap”** them together.



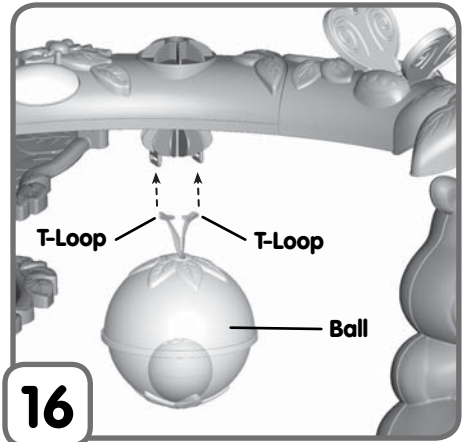
8

- Insert **one screw** into the hole under the large ramp and tighten.



15

- Insert and **“snap”** the monkey into the center of the arch assembly.



16

- Locate the straps on the ball.
- Insert the T-loop ends of the straps into the slots in the arch.
- Pull on the ball to make sure it is secure.