

Fisher-Price®

www.fisher-price.com

N0142



GeoTrax™

Transportation System

Fisher-Price®

GeoTrax™

Transportation System

Please keep this instruction sheet for future reference, as it contains important information.

Requires six "AAA" (LR03) (not included) for operation.

Adult assembly is required.

Tool required for battery replacement: Phillips screwdriver (not included).

Visit www.fisher-price.com
to see the entire world
of GeoTrax® accessories!



CONSUMER ASSISTANCE

Call toll free: 1-800-432-5437 (US & Canada only)
M-F 9AM to 7PM / SAT 11AM to 5PM (EST)

service.fisher-price.com

Write to us at: Fisher-Price® Consumer Relations,
636 Girard Avenue, East Aurora, New York 14052.

Hearing-impaired consumers using TTY/TDD equipment,
please call 1-800-382-7470.

For countries outside the United States:

Canada: Mattel Canada Inc., 6155 Freemont Blvd.,
Mississauga, Ontario L5R 3W2; www.service.mattel.com.

Great Britain: [Mattel UK Ltd, Vanwall Business Park,
Maidenhead SL6 4UB. Helpline: 01628 500303,
www.service.mattel.com/uk](http://www.service.mattel.com/uk)

Australia: Mattel Australia Pty. Ltd., 658 Church Street,
Locked Bag #870, Richmond, Victoria 3121 Australia.
Consumer Advisory Service 1300 135 312.

New Zealand: 16-18 William Pickering Drive,
Albany 1331, Auckland.

Asia: Mattel East Asia Ltd, Room 1106, South Tower,
World Finance Centre, Harbour City, Tsimshatsui, HK, China.

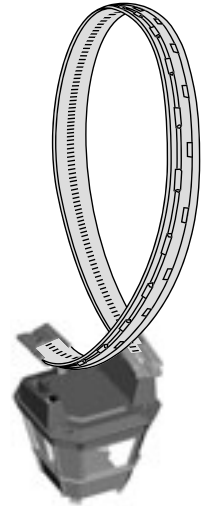
Assembled Parts



Main Tower



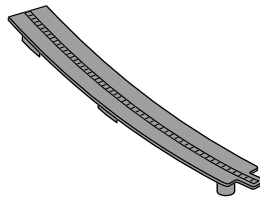
Terminal Base



Traffic Control Top



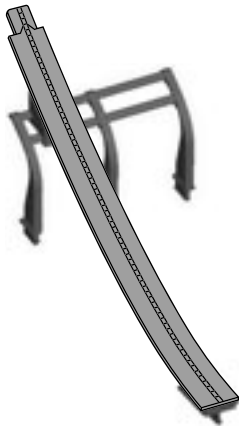
Loading Station



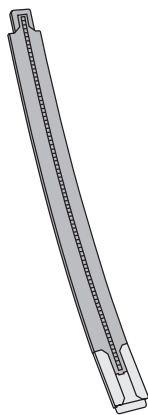
Air Track with Tabs



Security Gate



Air Track with Support



4 Air Tracks



Trestle Base



Trestle Post

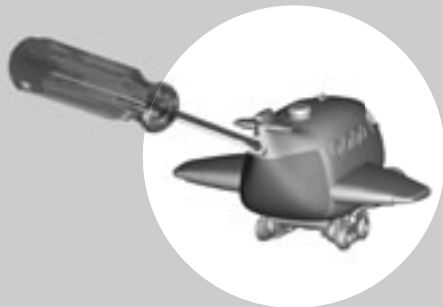
Battery Installation



We recommend the use of **alkaline** batteries for longer battery life.



Protect the environment by not disposing of this product with household waste (2002/96/EC). Check your local authority for recycling advice and facilities (Europe only).



Airplane

- Locate the battery compartment on the back of the airplane.
- Loosen the screw in the battery compartment door with a Phillips screwdriver. Lower the battery compartment door and insert three "AAA" (LR03) **alkaline** batteries.
- Close the battery compartment door and tighten the screw with a Phillips screwdriver. Do not over-tighten.

IMPORTANT! Under normal use conditions, the batteries in the vehicle will require replacement more often than the batteries in the remote controller.



Remote Controller

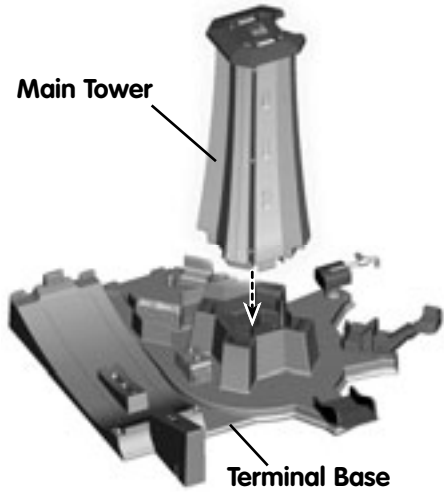
- Locate the battery compartment on the bottom of the remote controller.
- Loosen the screw in the battery compartment door with a Phillips screwdriver. Remove the battery compartment door and insert three "AAA" (LR03) **alkaline** batteries.
- Replace the battery compartment door and tighten the screw with a Phillips screwdriver. Do not over-tighten.

Battery Safety Information

In exceptional circumstances, batteries may leak fluids that can cause a chemical burn injury or ruin your product. To avoid battery leakage:

- Do not mix old and new batteries or batteries of different types: alkaline, standard (carbon-zinc) or rechargeable (nickel-cadmium).
- Insert batteries as indicated inside the battery compartment.
- Remove batteries during long periods of non-use. Always remove exhausted batteries from the product. Dispose of batteries safely. Do not dispose of this product in a fire. The batteries inside may explode or leak.
- Never short-circuit the battery terminals.
- Use only batteries of the same or equivalent type as recommended.
- Do not charge non-rechargeable batteries.
- Remove rechargeable batteries from the product before charging.
- If removable, rechargeable batteries are used, they are only to be charged under adult supervision.

Assembly



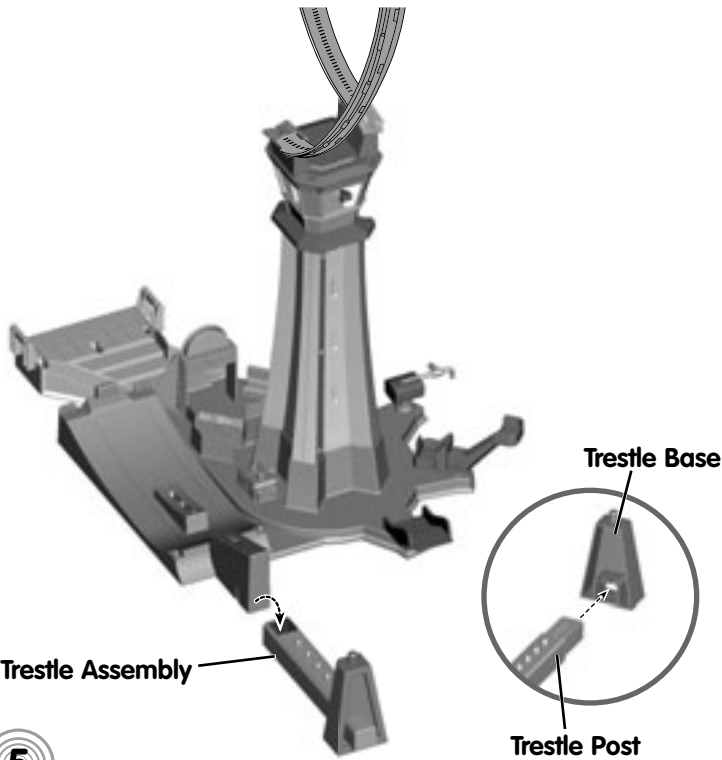
1

- "Snap" the main tower into the terminal base.



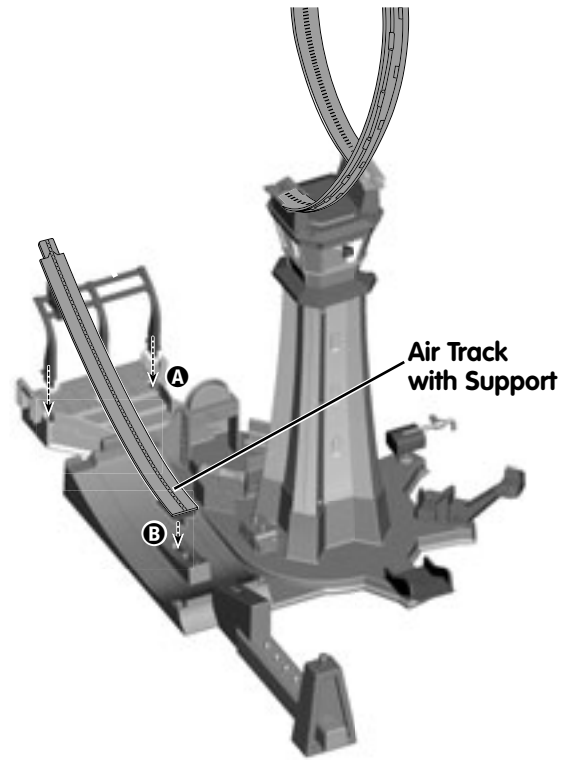
2

- "Snap" the traffic control top into the main tower.
- "Snap" the free end of the air track into the slots in the top of the control tower



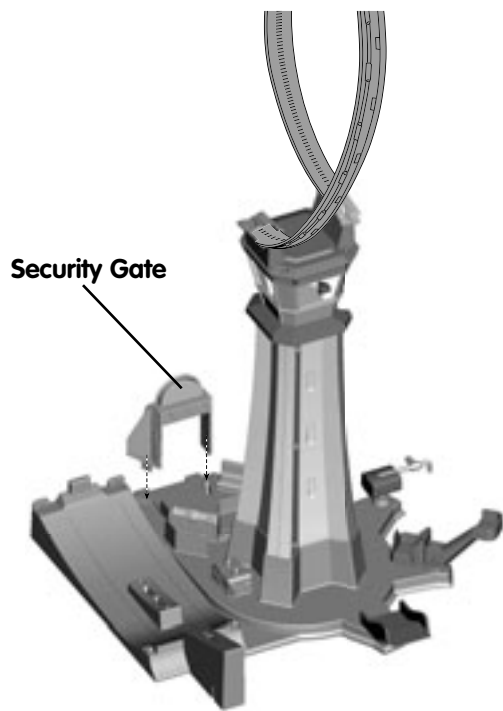
5

- Connect the trestle base to the trestle post.
- Lift the terminal base and lower to "snap" onto the trestle assembly, as shown.



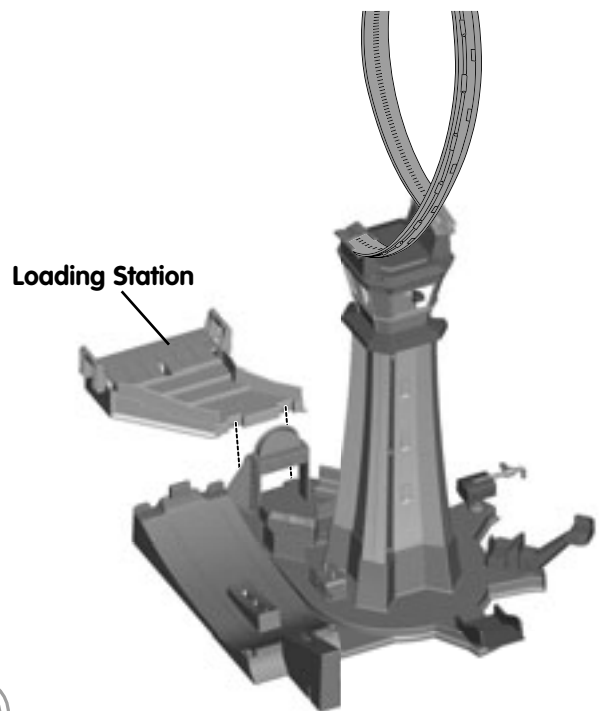
6

- Position the air track with support above the terminal base assembly.
- First, "snap" the ends of the support into the slots in the loading station **A**.
- Then, fit the tabs on the track into the slots in the terminal base **B**.



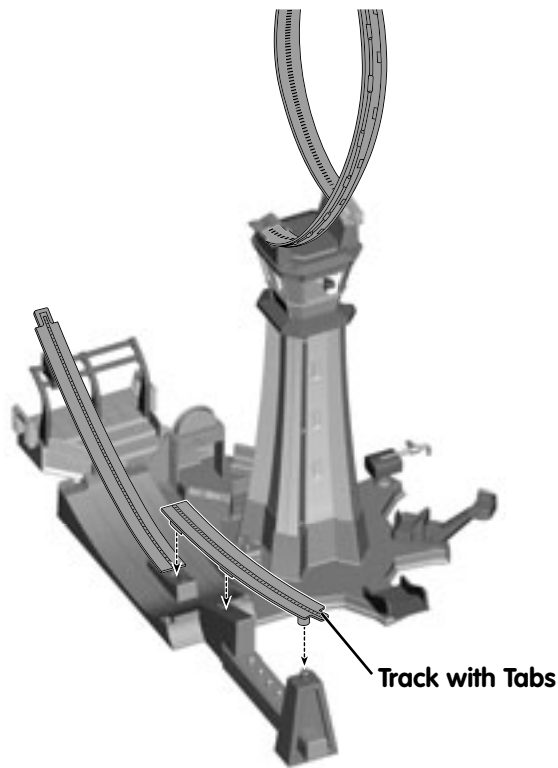
3

- “Snap” the security gate into the slots in the terminal base.



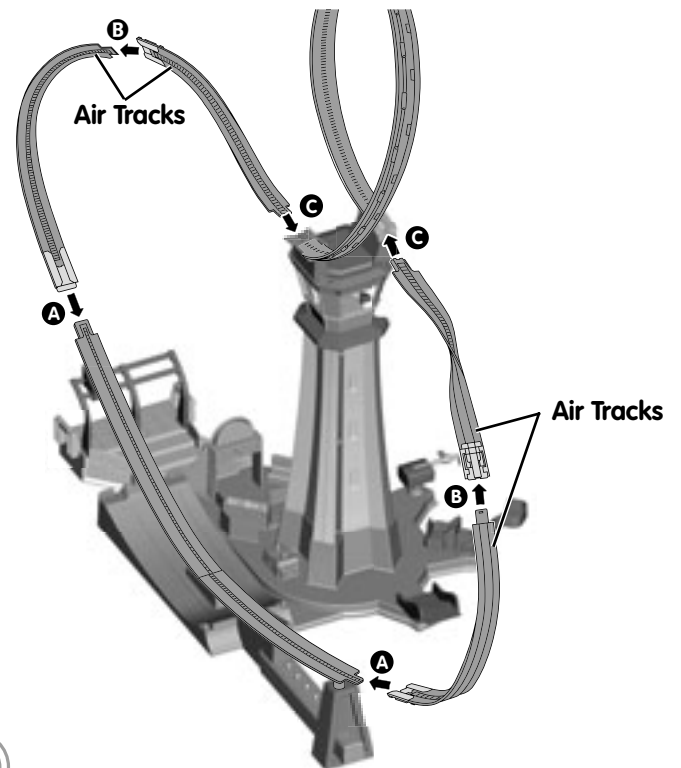
4

- Fit the loading station onto the terminal base.



7

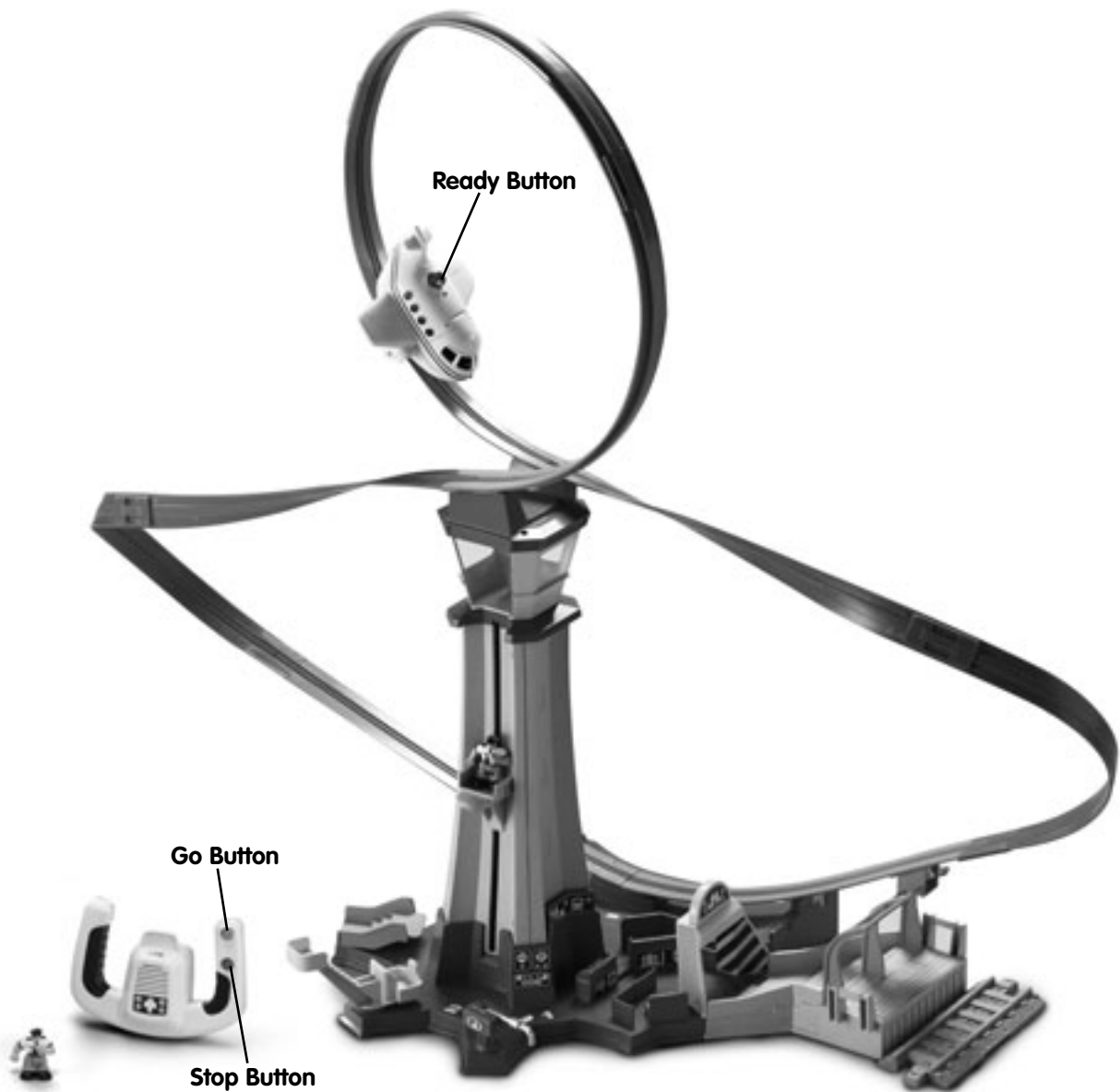
- Fit the track with tabs into the slots in the terminal and the trestle assembly. Push down to “snap” in place.



8

- Slide to attach an air track to each free end of the track on the base assembly **A**.
- Fit an air track onto each end of the track assembly **B**.
- Attach the remaining ends of the air track **C**.

■ Up, up and away!



- Fit the airplane onto the track.
- Press the ready button on top of the airplane to turn it on. It's ready for take-off!
- Press the go button on the remote controller to start the airplane.
- Press the stop button on the remote controller to stop the airplane.

Note: *The airplane will go into sleep mode after five minutes of inactivity. Press the ready button on top of the airplane to wake it up. Then press the go button on the remote controller to start the airplane.*

- This toy works best if you have a clear path between the remote controller and the vehicle. Point the remote controller at the airplane. The maximum range of the remote controller is about 12 feet.

■ Care

- Wipe the toy with a clean, damp cloth. Do not immerse. Do not drop this toy on a hard surface.
- This toy has no consumer serviceable parts. Do not take this toy apart.

■ Troubleshooting

SYMPTOM	SOLUTION
Airplane does not respond to the remote controller	<p>Battery power in the remote controller may be weak. Replace all three batteries in the remote controller with fresh, alkaline batteries.</p> <p>You may be beyond the maximum range of the remote controller which is about 12 feet.</p> <p>You may not have a clear path between the remote controller and the airplane. This toy works best when there are no obstructions between the airplane and the remote controller.</p> <p>Bright sunlight or fluorescent lights may affect the range of the remote controller. Try dimming the room you are playing in.</p> <p>The airplane may have shut off. If you do not operate the remote controller for a few minutes, the airplane shuts off automatically and the ready light turns off. Press the ready button on the airplane, and operate the remote controller to restart.</p>
Airplane moves slowly	<p>Battery power in the airplane may be weak. Replace all three batteries in the vehicle with fresh, alkaline batteries.</p> <p>The wheels on the airplane may be dirty. Wipe them with a clean cloth.</p>

■ FCC Statement

(United States Only)

This equipment has been tested and found to comply with the limits for a Class B digital device, pursuant to Part 15 of the FCC Rules. These limits are designed to provide reasonable protection against harmful interference in a residential installation. This equipment generates, uses and can radiate radio frequency energy and, if not installed and used in accordance with the instructions, may cause harmful interference to radio communications. However, there is no guarantee that interference will not occur in a particular installation. If this equipment does cause harmful interference to radio or television reception, which can be determined by turning the equipment off and on, the user is encouraged to try to correct the interference by one or more of the following measures:

- Reorient or relocate the receiving antenna.
- Increase the separation between the equipment and receiver.
- Consult the dealer or an experienced radio/TV technician for help.

Note: Changes or modifications not expressly approved by the manufacturer responsible for compliance could void the user's authority to operate the equipment.

This device complies with Part 15 of the FCC Rules.

Operation is subject to the following two conditions: (1) this device may not cause harmful interference and (2) this device must accept any interference received, including interference that may cause undesired operation.