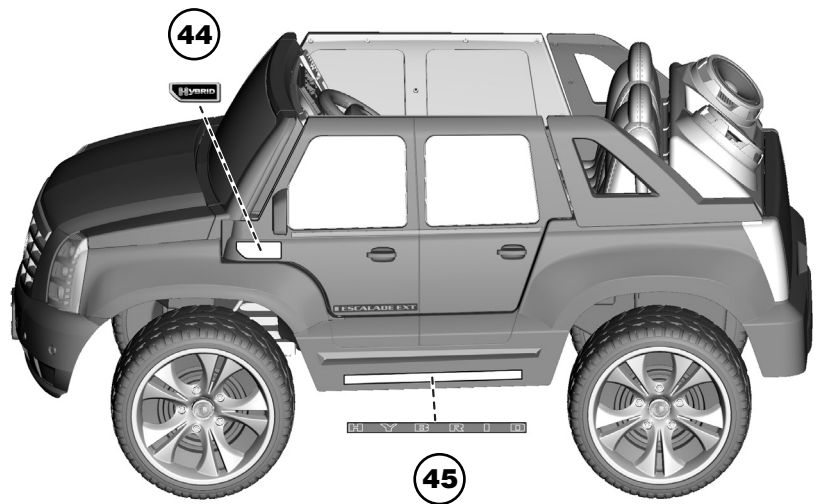
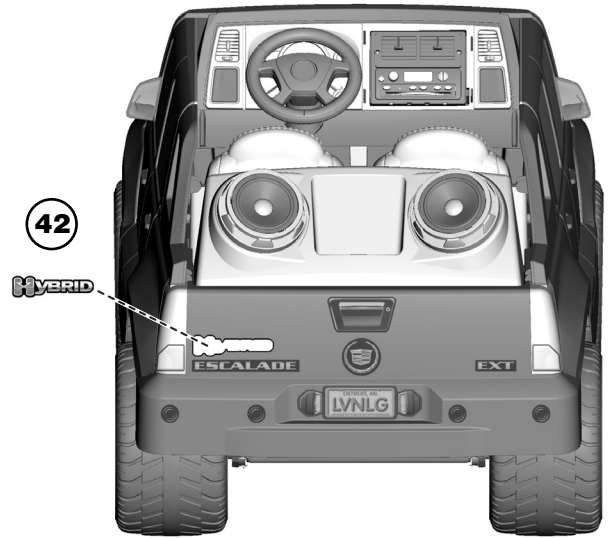
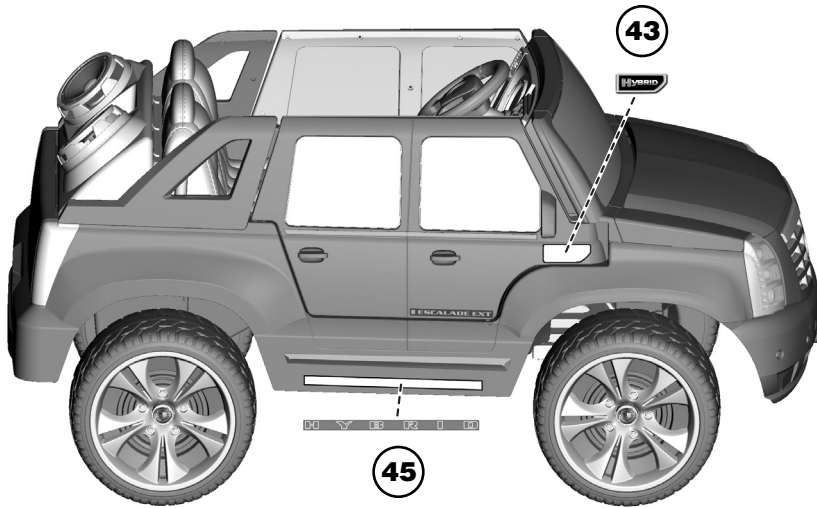




# We've Made a Change!

Please remove labels 5 and 6 from your original label sheet and dispose of properly. Apply the labels as directed on pages 21 and 22 in your Owner's manual. Do not apply labels 5 and 6.

Use this instruction sheet to apply labels 42-45.



Cadillac, the Wreath & Crest Emblem, Escalade, EXT, and the related vehicle body designs are General Motors Trademarks used under license to Fisher-Price.

Fisher-Price, Inc., a subsidiary of Mattel, Inc., East Aurora, New York 14052 U.S.A.  
©2008 Mattel, Inc. All Rights Reserved. © and ™ designate U.S. trademarks of Mattel, Inc. unless otherwise indicated.