

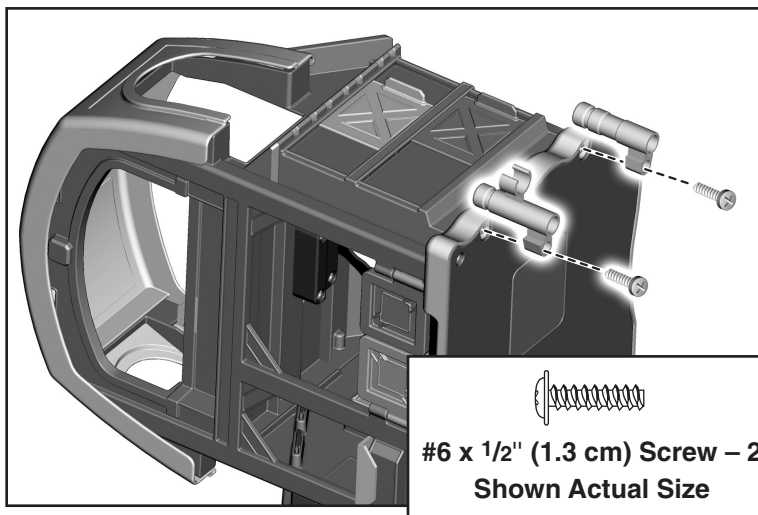
# We've Made a Change!

Follow these instructions to attach  
the two posts to the farm.

- Adult assembly is required.
- Tool required for assembly: Phillips screwdriver (not included).

## CAUTION

This package contains small parts in  
its unassembled state.  
Adult assembly is required.



- Align the hole in a post with the matching peg on the bottom of the base as shown.
- Insert a screw through the post and into the peg. Tighten the screw with a Phillips screwdriver. Do not over-tighten.
- Repeat this procedure to attach the other post.