



H8910

Please keep this instruction sheet for future reference, as it contains important information.

Adult assembly is required.

No tools needed for assembly.



**Bubble
Mower**

IMPORTANT!



Assembly

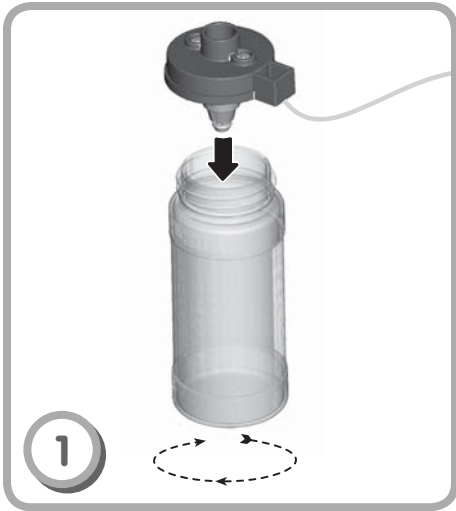
- Please make sure your child does not follow you using this toy while you are operating a real lawn mower. Your child should play in a separate area **away from the area where you mow.**
- Use only bubble solution in this toy.
- Make sure your child understands that bubble solution is not for drinking and that it should be kept away from the eyes.
- While filling or cleaning this toy, try to avoid spilling bubble solution on the floor. It may create slippery floor conditions.
- Bubble solution used in this product may stain or stick to some surfaces.



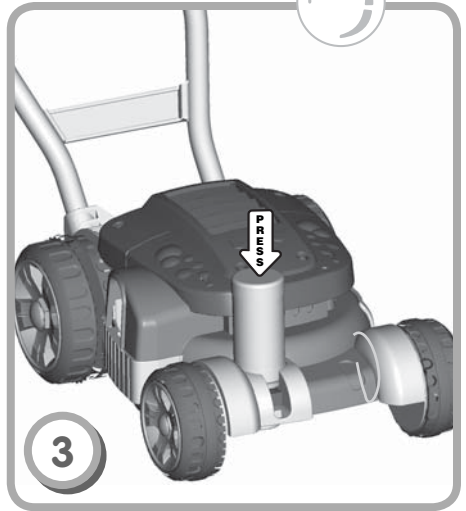
- Insert and **"snap"** the handle into the mower, as shown.



Bubblin' Fun



- Remove and discard the cap and seal from the bubble solution bottle.
- Carefully fit the bottle to the bottom of the filler cap attached to the front of the mower. Twist the bottle to attach.



- Press down on the bottle for about 15 seconds to fill the mower.



- Insert the bottle, cap side down, into the opening near the front of the mower.



Fisher-Price, Inc., a subsidiary of Mattel, Inc., East Aurora, NY 14052 U.S.A.

©2007 Mattel, Inc. All Rights Reserved. ® and ™ designate U.S. trademarks of Mattel, Inc.

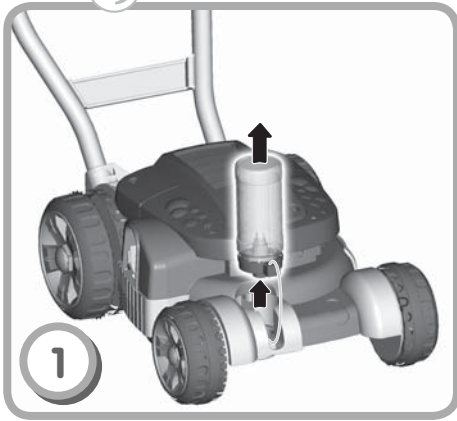
Bubblin' Fun

- If your mower still does not make bubbles:
 - Check to be sure there is enough bubble solution in the mower.
 - Make sure all four wheels contact the ground when pushing the mower.
 - Empty bubble solution from the mower. Wash the bubble chamber and filler opening. Refill with fresh bubble solution (see page 5).

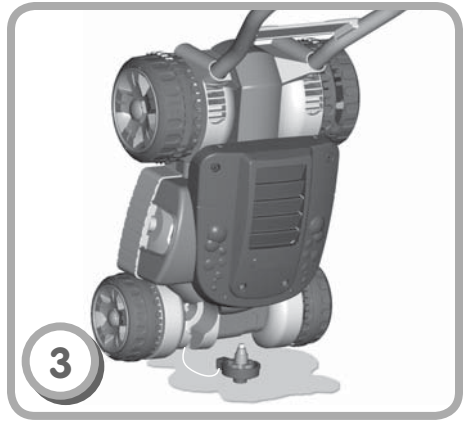
Note: We do not recommend the use of silicones or oily lubricants on this toy. As with any bubble producing toy, when even a very small amount of silicone or oily lubricants are put into or used near the bubble chambers, bubbles will not form.

- Push the bubble mower so that **all four wheels** contact the ground.
- Bubbles begin flowing after the mower has been pushed about 15-20 walking steps. As long as the mower is being pushed, bubbles continue to flow.
- When bubbles stop, press down on the bubble bottle again for 15 seconds to refill.

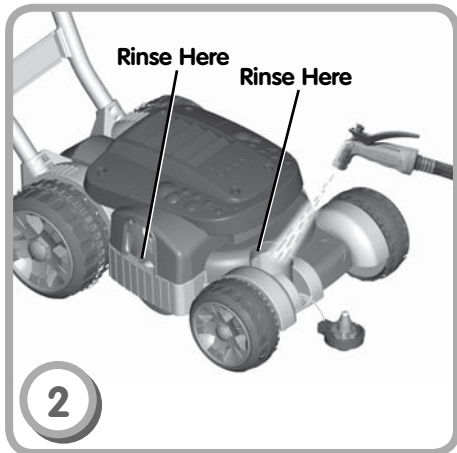
Let's Clean Up



- Lift to remove the bubble solution bottle from the mower. Twist to remove the filler cap. Set the bottle aside.



- Tip the mower forward to empty all the water.



- Thoroughly rinse the bubble chamber on the side of the mower and the filler opening near the front of the mower with clean water from a garden hose or faucet.



- Replace the filler cap on the bubble solution bottle and place the bottle in the filler opening **cap end up**.

Hint: Please keep the bubble solution bottle with your toy and refill as necessary.



Problems and Solutions

Problem	Cause	Solution
No bubbles	Not enough bubble solution in bubble chamber	Press down on bubble solution bottle for 15 seconds to refill.
	Bubble chamber is clogged and dirty	Follow instructions in "Let's Clean Up" section to clean bubble chamber thoroughly.
	You have not walked far enough to produce bubbles	The bubble mower needs to be pushed a minimum of 15-20 walking steps before bubbles begin to flow.
	You are walking too quickly	Walk at a slow, steady pace.
	The rear wheels do not contact the ground	Push the mower so that the rear wheels always contact the ground.
	Silicone or oily lubricants may have gotten in the bubble chamber	Never use silicone or oily lubricants on this product (the wheels). Bubbles will not form if even a very small amount of these substances get into the bubble chamber.
Bubble solution is leaking from the mower	Bubble chamber over-filled	Fill only by using filler cap. The filler cap dispenses the correct amount of solution.
	The mower is used on an inclined surface	Use the mower only on flat, level ground.
Bubble solution is foaming	Bubble chamber is clogged	Follow instructions in "Let's Clean Up" section to clean bubble chamber thoroughly.

Consumer Information

Visit us on-line at www.service.fisher-price.com.

Call Fisher-Price® Consumer Relations, toll-free at **1-800-432-5437**, 9 AM - 7 PM EST Monday through Friday and 11 AM - 5 PM EST Saturday. Hearing-impaired consumers using TTY/TDD equipment, please call 1-800-382-7470.

Write to us at: Fisher-Price® Consumer Relations, 636 Girard Avenue, East Aurora, New York 14052.

For countries outside the United States:

CANADA - Questions? 1-800-432-5437, Mattel Canada Inc., 6155 Freemont Blvd., Mississauga, Ontario L5R 3W2; www.service.mattel.com.

GREAT BRITAIN - Mattel UK Ltd, Vanwall Business Park, Maidenhead SL6 4UB. Helpline: 01628 500303; www.service.mattel.com/uk.

AUSTRALIA - Mattel Australia Pty. Ltd., 658 Church Street, Locked Bag #870, Richmond, Victoria 3121 Australia. Consumer Advisory Service 1300 135 312.

NEW ZEALAND - 16-18 William Pickering Drive, Albany 1331, Auckland.

ASIA - Mattel East Asia Ltd, Room 1106, South Tower, World Finance Centre, Harbour City, Tsinghsatui, HK, China.