

**Fisher-Price®**



**fisher-price.com**

# Consumer Information

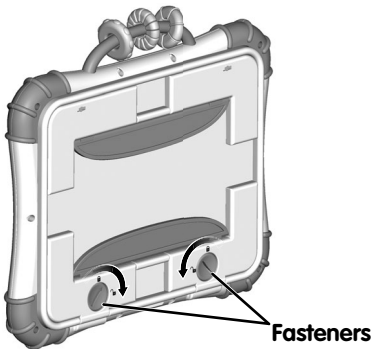
- Please keep these instructions for future reference, as they contain important information.
- Adult setup is required.
- This product is compatible with all generations of iPad®. Device not included.
- Only use this product with your iPad device properly inserted and locked in the case. Remove any other cases from the device before inserting it in this case.
- Periodically check this product and your device for damage or cracks. Do not use if either is damaged or broken. Follow your device's instructions for use and care.
- Wipe this product with a clean, damp cloth. Do not immerse.
- Actual product may appear different than the photos shown.


# Free Laugh & Learn™ Apps



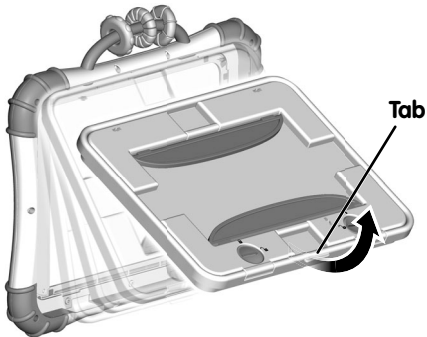
- You can download free Fisher-Price® learning apps from the App Store<sup>SM</sup> (no purchase necessary)!.

# Open the Case



- 
- Using a coin, turn each fastener to the unlock  position.

# Open the Case



- 
- Grasp the tab on the door and lift to remove the door.



## CONSUMER ASSISTANCE

1-800-432-5437 (US & Canada)

1300 135 312 (Australia)



**service.fisher-price.com**

Fisher-Price, Inc., 636 Girard Avenue, East Aurora, NY 14052.

Hearing-impaired consumers: 1-800-382-7470.

### **Outside the United States:**

Canada: Mattel Canada Inc., 6155 Freemont Blvd.,  
Mississauga, Ontario L5R 3W2; [www.service.mattel.com](http://www.service.mattel.com).

Great Britain: Mattel UK Ltd, Vanwall Business Park,  
Maidenhead SL6 4UB. Helpline: 01628 500303.  
[www.service.mattel.com/uk](http://www.service.mattel.com/uk)

Mattel Europa B.V., Gondel 1, 1186MJ Amstelveen, Nederland.

Australia: Mattel Australia Pty. Ltd., 658 Church Street,  
Locked Bag #870, Richmond, Victoria 3121 Australia.

New Zealand: 16-18 William Pickering Drive,  
Albany 1331, Auckland.

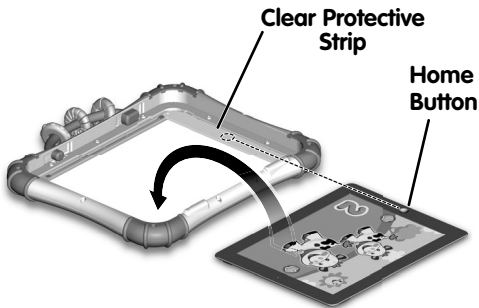
Apple and iPad are trademarks of Apple Inc., registered in the U.S.  
and other countries.

App Store is a service mark of Apple Inc.

©2012 Mattel. All Rights Reserved.

® and ™ designate U.S. trademarks of Mattel, except as noted.

# Setup

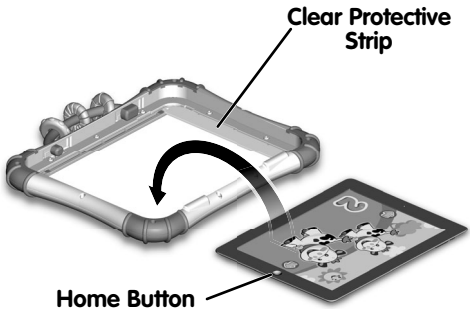


---

**Hint:** If you'd like to **block** baby from pressing the home button, follow the instructions in this step.

- Turn your device power ON.
- Place the case face down on a flat surface.
- Insert the device with the home button on the **same** side as the clear protective strip on the case.

# Setup



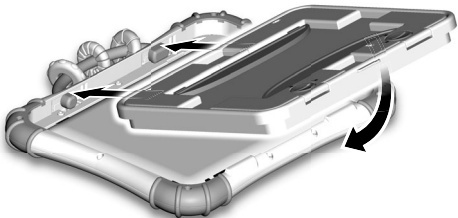
---

**Hint:** If you'd like to **allow** baby to press the home button, follow the instructions in this step.

- Turn your device power ON.
- Place the case face down on a flat surface.
- Insert the device with the home button on the **opposite** side of the clear protective strip on the case.

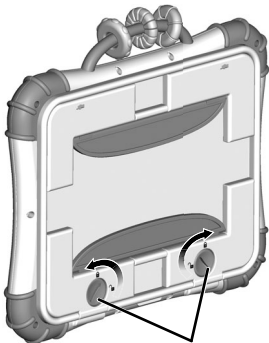


## Close the Case




- 
- At an angle, fit the tabs on the door into the slots in the case. Lower the door.

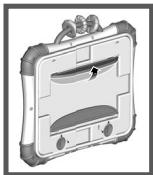
# Close the Case



**Fasteners**

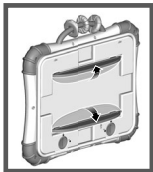
- 
- Using a coin, turn each fastener to the  lock position.

## 3 Ways to Play



- 1 Baby can use the case flat.
- 2 Flip up one of the legs on the back of the case to setup as an easel.

## 3 Ways to Play



③ Flip up both legs to setup as a rocker base.