

**Fisher-Price®**

**W9953**



This toy is intended to be assembled to the Servin' Surprises™ Kitchen & Table (sold separately and subject to availability).

Please keep this instruction sheet for future reference, as it contains important information.

Adult assembly is required. Tools required for assembly: Phillips screwdriver and slotted screwdriver (tools not included).

Before use, thoroughly wash all parts that may contact food.

Wipe this toy with a clean, damp cloth.

This toy has no consumer serviceable parts. Do not take this toy apart.

Doll sold separately and subject to availability.

**fisher-price.com**

## Assembled Parts

### CAUTION

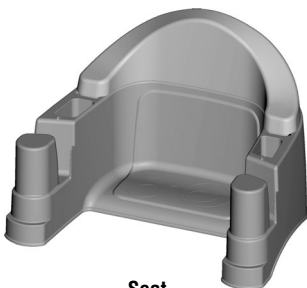
This package contains small parts.  
For adult assembly only.



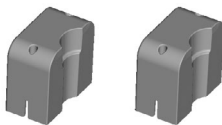
Tray



2 Plastic Screws



Seat

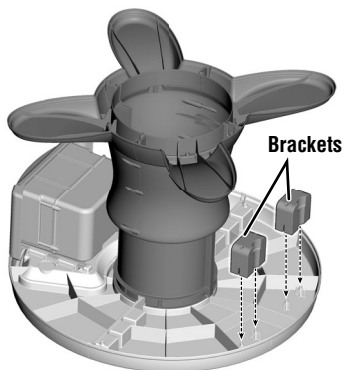


2 Brackets



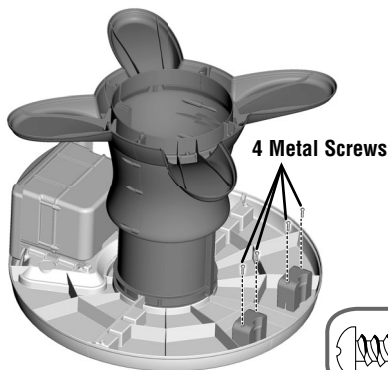
#6 x  $\frac{3}{4}$ " (1,9 cm) Metal Screw - 4  
Shown Actual Size

# Assembly



1

- Carefully turn the Servin' Surprises™ Kitchen & Table (sold separately) upside down on a flat surface.
- Fit the brackets onto the tabs on the tabletop.



2

- Insert two #6 x  $\frac{3}{4}$ " (1,9 cm) metal screws into each bracket and tighten with a Phillips screwdriver. Do not over-tighten.

## “Magic” Feeding!



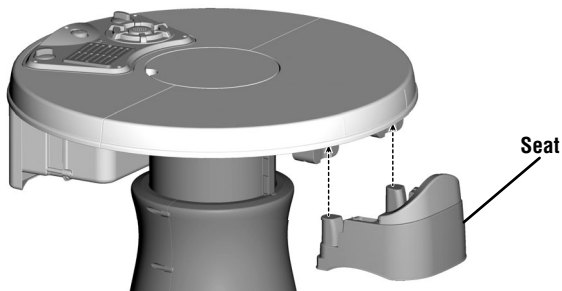
- Tip the “magic” bottle to look like baby is drinking.
- Put the “magic” spoon in the bowl to scoop food for baby.



- Set the feeding bowl on the Servin’ Surprises™ Kitchen & Table (sold separately) to hear phrases and songs!
- Store the bottle and spoon in the bowl!

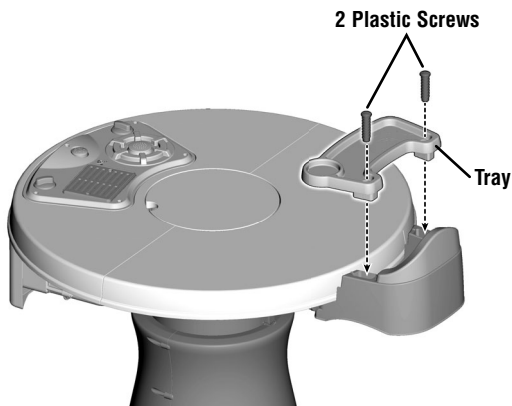
# Assembly

3



- Turn the Servin' Surprises™ Kitchen & Table (sold separately) upright.
- Fit the seat to the brackets under the tabletop.

4



- Fit the tabs on the tray into the slots in the seat armrests.
- Insert both plastic screws into the tray and tighten with a slotted screwdriver. Do not over-tighten the plastic screws.

**Hint:** The high chair is designed to be removed and replaced. Simply loosen and remove the plastic screws and remove the tray and the seat from the tabletop. To store, place the tray onto the chair and insert and tighten the plastic screws.



## CONSUMER ASSISTANCE

1-800-432-5437 (US & Canada)

1300 135 312 (Australia)



[service.fisher-price.com](http://service.fisher-price.com)

Fisher-Price, Inc., 636 Girard Avenue, East Aurora, NY 14052.

Hearing-impaired consumers: 1-800-382-7470.

### **Outside the United States:**

Canada: Mattel Canada Inc., 6155 Freemont Blvd.,  
Mississauga, Ontario L5R 3W2; [www.service.mattel.com](http://www.service.mattel.com).

Great Britain: Mattel UK Ltd, Vanwall Business Park,  
Maidenhead SL6 4UB. Helpline: 01628 500303.  
[www.service.mattel.com/uk](http://www.service.mattel.com/uk)

Mattel Europa B.V., Gondel 1, 1186MJ Amstelveen, Nederland.

Australia: Mattel Australia Pty. Ltd., 658 Church Street,  
Locked Bag #870, Richmond, Victoria 3121 Australia.

New Zealand: 16-18 William Pickering Drive,  
Albany 1331, Auckland.