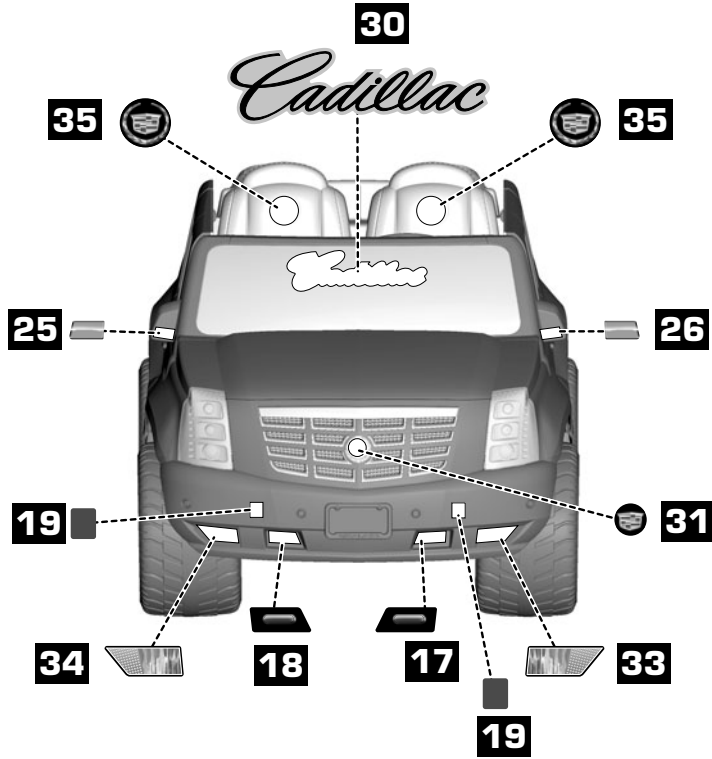


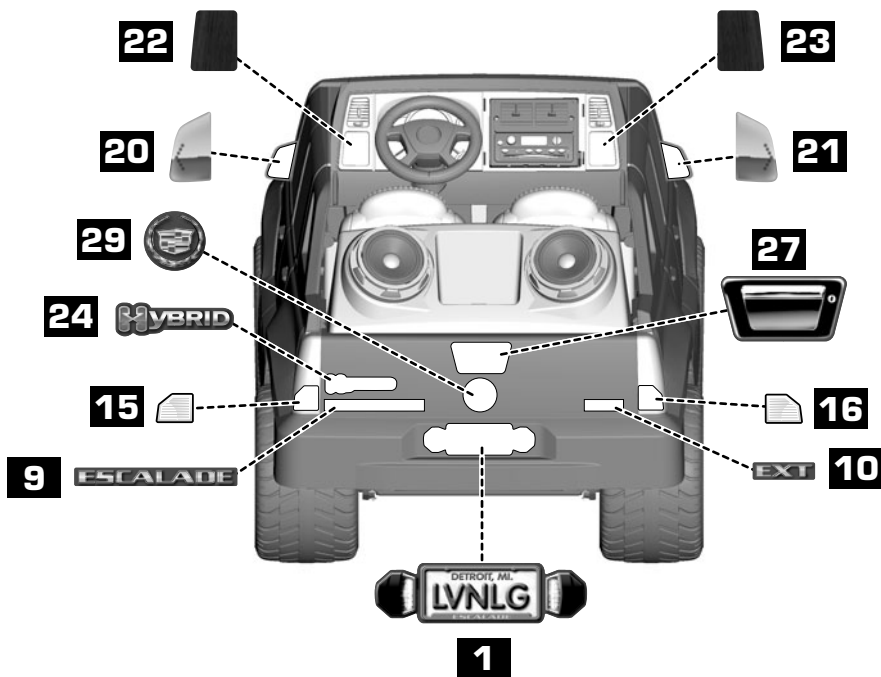
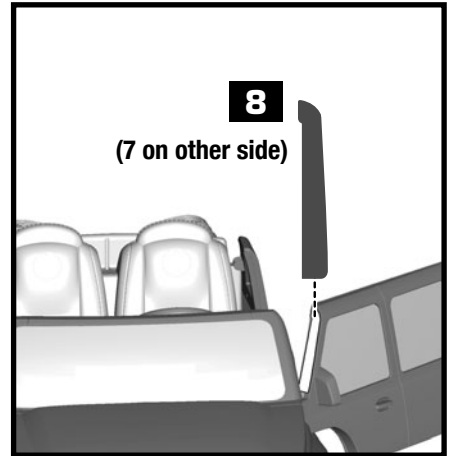


DECORATION

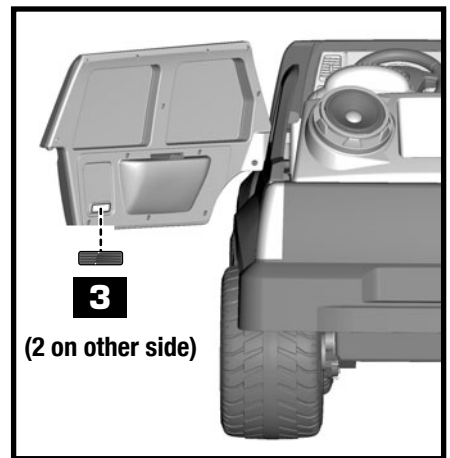
For Model W9417

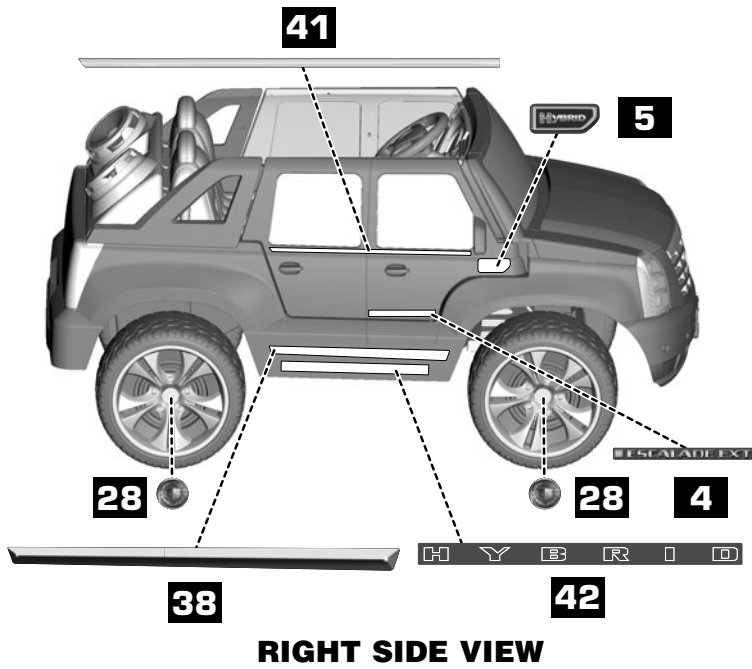


FRONT VIEW

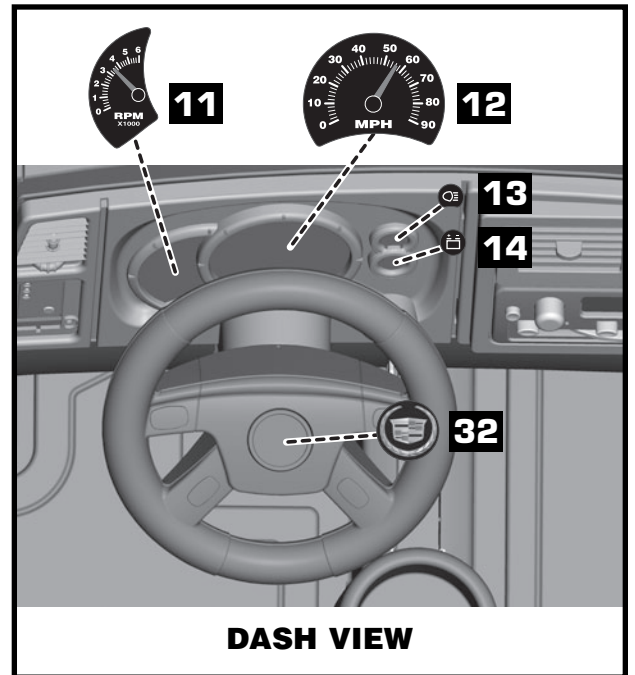


REAR VIEW

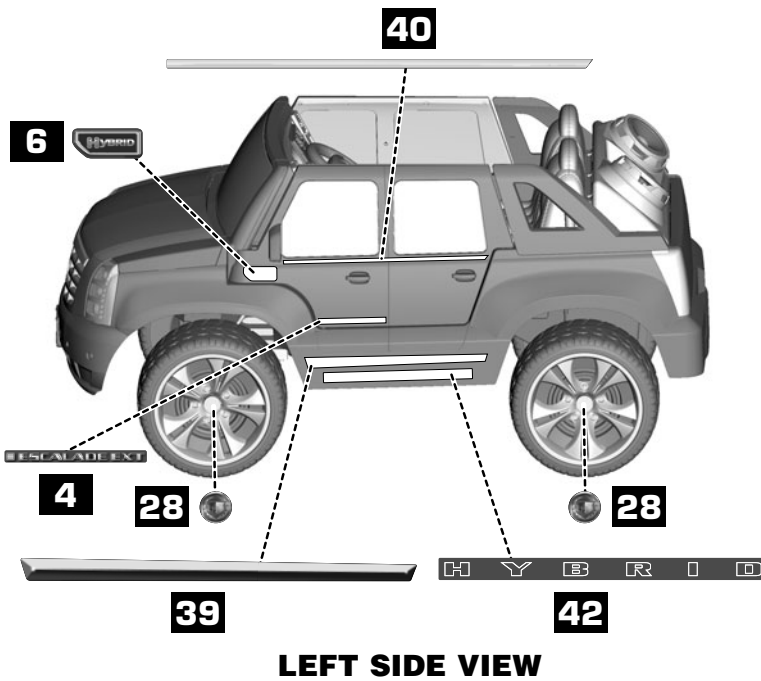




RIGHT SIDE VIEW



DASH VIEW



LEFT SIDE VIEW

Cadillac, the Wreath & Crest Emblem, Escalade, EXT, and the related vehicle body designs are General Motors Trademarks used under license to Fisher-Price, Inc.

Fisher Price, Inc., a subsidiary of Mattel, Inc., East Aurora, NY 14052 U.S.A.
 ©2011 Mattel, Inc. All Rights Reserved. © and ™ designate U.S. trademarks of Mattel, Inc., unless otherwise indicated.