

**Fisher-Price**

**W2005**



[www.fisher-price.com](http://www.fisher-price.com)

# Consumer Information

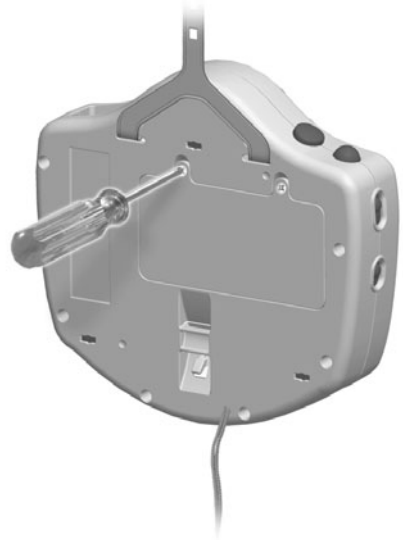
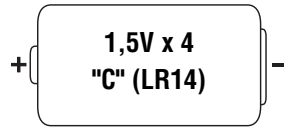
## WARNING

### Prevent Entanglement Injury

- This product may not attach to all crib designs. Do not add additional strings or straps to attach to a crib or playpen.
  - Use **ONLY** attached to a crib or playpen.
- 
- Please keep this instruction sheet for future reference, as it contains important information.
  - This product includes four “AA” batteries in a disposable box. Batteries included are for demonstration purposes only. Before first time use, remove the “AA” batteries in the disposable box and throw them away.
  - Requires four “C” (LR14) **alkaline** batteries and two “AAA” (LR03) **alkaline** batteries for operation (batteries not included).
  - Adult assembly is required for battery installation and crib attachment.
  - Tool required for battery installation: Phillips screwdriver (not included).
  - This product contains magnets. Do not use around items that are sensitive to or affected by magnetic fields.

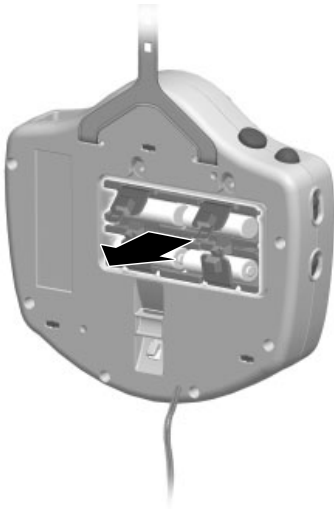
# Soother Battery Replacement

**Before First Time Use:** The soother includes four “AA” batteries in a disposable box for demonstration purposes only. Remove the disposable box with “AA” batteries and install four “C” (LR14) **alkaline** batteries.

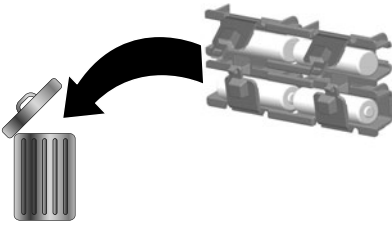


- Locate the battery compartment on the back of the soother.
- Loosen the screws in the battery compartment door and remove the door.

# Soother Battery Replacement



- Open the tabs on the disposable box and lift to remove it.



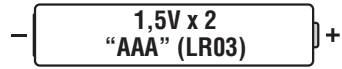
- Throw away the disposable box and the included “AA” batteries.
- Insert four, new “C” (LR14) **alkaline** batteries in the battery compartment.

**Hint:** We recommend **alkaline** batteries for longer battery life.

- Replace the battery compartment door and tighten the screws.
- If the soother begins to operate erratically, you may need to reset the electronics. Slide the power/volume switch off and then back on.

**Hint:** Under normal use conditions, the batteries in the soother will require replacement more often than the batteries in the remote. When sounds and lights from this soother become faint or stop, it's time for an adult to change the batteries.

# Remote Battery Installation



- Locate the battery compartment on the back of the remote.
- Loosen the screw in the battery compartment door and remove the door.
- Insert two, new “AAA” (LR03) **alkaline** batteries.

**Hint:** We recommend **alkaline** batteries for longer battery life.

- Replace the battery compartment door and tighten the screw.
- If the remote begins to operate erratically, you may need to reset the electronics. Remove the batteries and reinstall them.



## CONSUMER ASSISTANCE

1-800-432-5437 (US & Canada)

1300 135 312 (Australia)



[service.fisher-price.com](http://service.fisher-price.com)

Fisher-Price, Inc., 636 Girard Avenue, East Aurora, NY 14052.

Hearing-impaired consumers: 1-800-382-7470.

Outside the United States:

Canada: Mattel Canada Inc., 6155 Freemont Blvd.,  
Mississauga, Ontario L5R 3W2; [www.service.mattel.com](http://www.service.mattel.com).

Great Britain: Mattel UK Ltd, Vanwall Business Park,  
Maidenhead SL6 4UB. Helpline: 01628 500303.  
[www.service.mattel.com/uk](http://www.service.mattel.com/uk)

Mattel Europa, B.V., Gondel 1, 1186 MJ Amstelveen, Nederland.

Australia: Mattel Australia Pty. Ltd., 658 Church Street,  
Locked Bag #870, Richmond, Victoria 3121 Australia.

New Zealand: 16-18 William Pickering Drive,  
Albany 1331, Auckland.

### FCC Statement (United States Only)

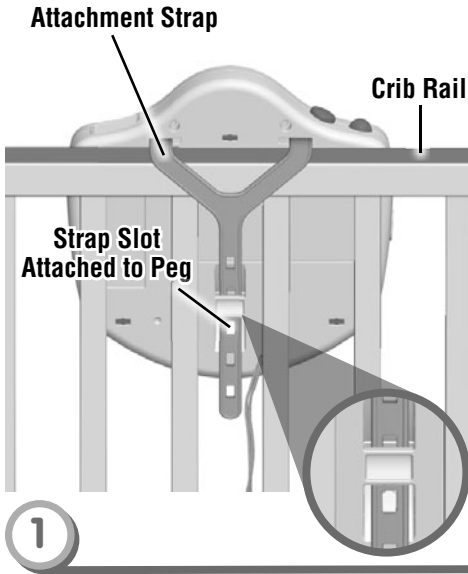
This equipment has been tested and found to comply with the limits for a Class B digital device, pursuant to Part 15 of the FCC Rules. These limits are designed to provide reasonable protection against harmful interference in a residential installation. This equipment generates, uses and can radiate radio frequency energy and, if not installed and used in accordance with the instructions, may cause harmful interference to radio communications. However, there is no guarantee that interference will not occur in a particular installation. If this equipment does cause harmful interference to radio or television reception, which can be determined by turning the equipment off and on, the user is encouraged to try to correct the interference by one or more of the following measures:

- Reorient or relocate the receiving antenna.
  - Increase the separation between the equipment and receiver.
  - Consult the dealer or an experienced radio/TV technician for help.
- Note: Changes or modifications not expressly approved by the manufacturer responsible for compliance could void the user's authority to operate the equipment.

This device complies with Part 15 of the FCC Rules. Operation is subject to the following two conditions: (1) this device may not cause harmful interference and (2) this device must accept any interference received, including interference that may cause undesired operation.

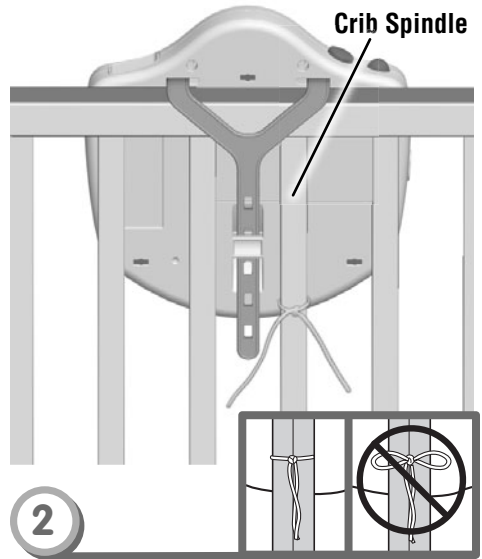
# Crib Attachment

**IMPORTANT!** Always attach all provided fasteners (strings, straps, clamps, etc.) tightly to a crib or playpen according to the instructions. Do not add additional strings or straps to attach to a crib. Check frequently.

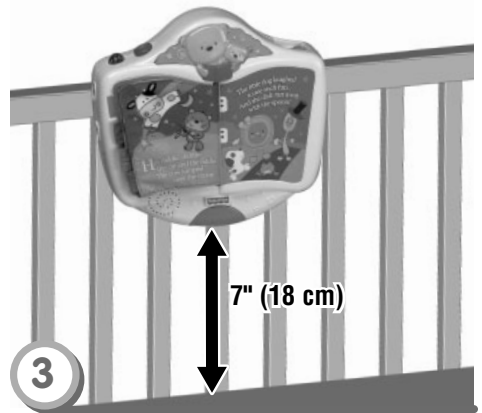


- Position the soother inside the crib.
- Wrap the attachment strap around the top of the crib rail.
- Slide the end of the attachment strap under the tab on the back of the soother.
- Fasten the attachment strap slot to the peg on the back of the soother.

**NOTE:** This soother should be snug against the crib rail and spindles. Use the strap slot that provides the tightest fit.

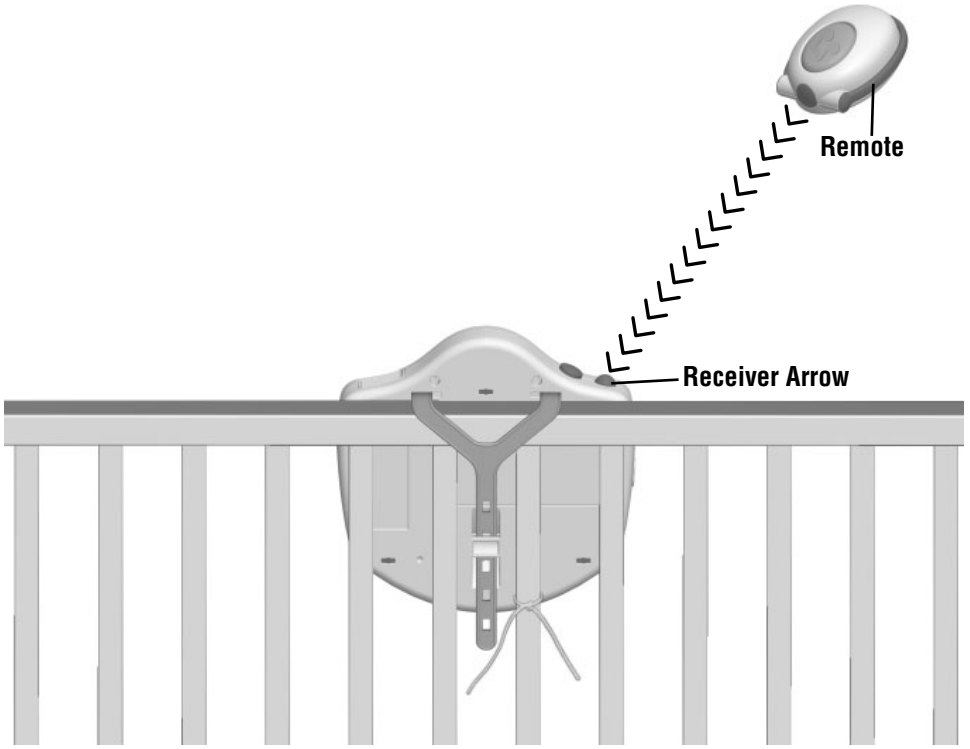


- Tie the soother strings to a crib spindle.  
**NOTE:** It is better to tie the strings in a knot than a bow, since a bow may be easily untied.



- Make sure the distance between the bottom of the soother and the crib mattress is **at least 7 inches (18 cm)**.
- If the distance is less than 7 inches (18 cm), readjust the attachment strap to lift the soother; or lower the crib mattress.

# Remote Use

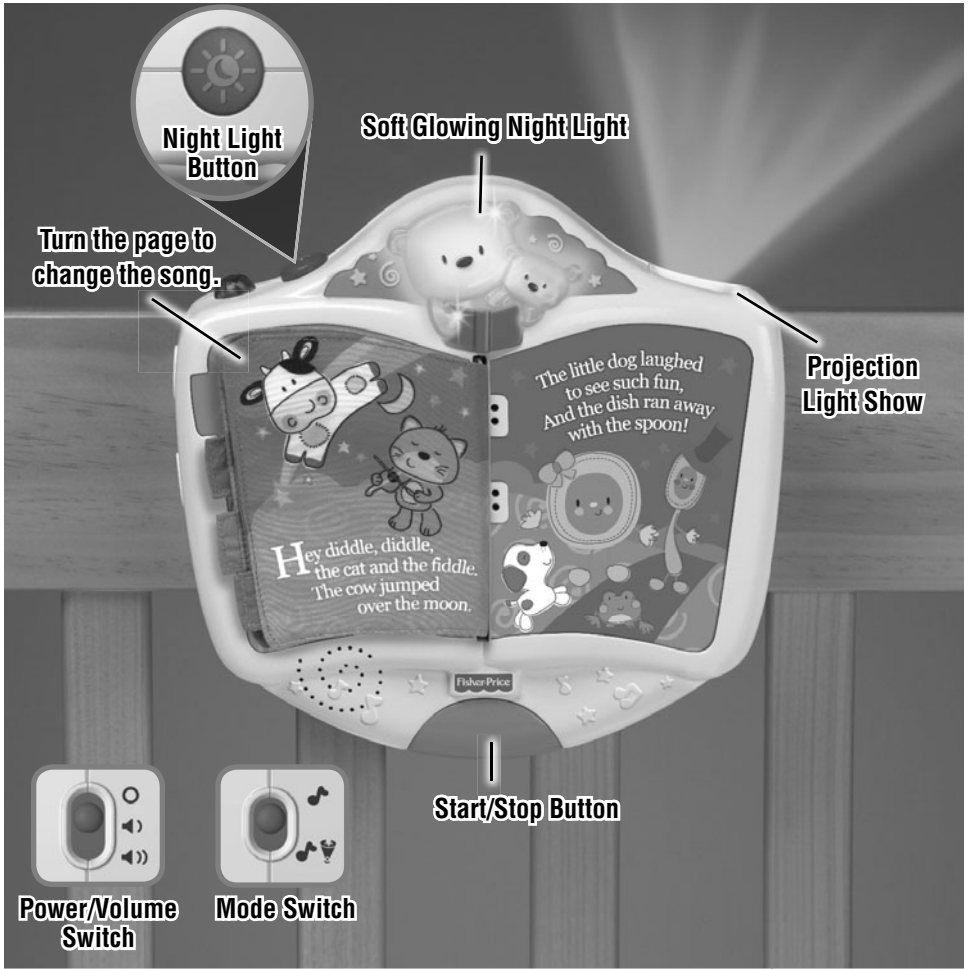


- Position the soother so that the receiver arrow points towards the area that the remote will be used. Make sure there is a clear path between the remote and the soother.
- Point the end of the remote toward the soother receiver and press the button.

## NOTES:

- In the unlikely event that use of the remote interferes with normal use of other remote controlled equipment, such as televisions and stereos, or use of other electronic or battery powered appliances interfere with operation of the soother, do not use both at the same time.
- You may notice a loss of range between the remote and the soother when using in bright light. For best performance, avoid using the remote in areas of bright light. Move the soother, or reduce the amount of light to improve performance.


# Stories in Song, Light Show & Night Light



- Slide the power/volume switch on the soother to ON with low volume ◀▶ or ON with high volume ◀▶▶.
  - Slide the mode switch to: 🎵 **Music** or 🎵👤 **Music & Projection**.
    - 🎵 **Music** - plays approximately 20 minutes of music.
    - 🎵👤 **Music & Projection** - plays approximately 12 minutes of music and projects a charming light show on the ceiling.
  - Press the start/stop button on the soother or the remote button to turn music/projection ON. Press the button again to stop music/projection.
  - Turn the pages in the book to change the song.
  - Press the ☀️ night light button on the soother for soft glowing light.
- Hint:** The night light turns OFF after approximately two minutes.
- When you are finished using this product, slide the power/volume switch OFF ○.

# Consumer Information

## Care

- Wipe this toy with a clean cloth dampened with a mild soap and water solution. Do not immerse.
- This toy has no consumer serviceable parts. Do not take this toy apart.
- Protect the environment by not disposing of this product with household waste (2002/96/EC).  
 Check your local authority for recycling advice and facilities (Europe only).

## ICES-003

- This Class B digital apparatus complies with Canadian ICES-003.
- Operation is subject to the following two conditions: (1) this device may not cause harmful interference and (2) this device must accept any interference received, including interference that may cause undesired operation.

## NMB-003

- Cet appareil numérique de la classe B est conforme à la norme NMB-003 du Canada.
- L'utilisation de ce dispositif est autorisée seulement aux conditions suivantes :  
(1) il ne doit pas produire de brouillage et  
(2) l'utilisateur du dispositif doit être prêt à accepter tout brouillage radioélectrique reçu, même si ce brouillage est susceptible de compromettre le fonctionnement du dispositif.

## Battery Safety Information

**In exceptional circumstances, batteries may leak fluids that can cause a chemical burn injury or ruin your product. To avoid battery leakage:**

- Do not mix old and new batteries or batteries of different types: alkaline, standard (carbon-zinc) or rechargeable (nickel-cadmium).
- Insert batteries as indicated inside the battery compartment.
- Remove batteries during long periods of non-use. Always remove exhausted batteries from the product. Dispose of batteries safely. Do not dispose of this product in a fire. The batteries inside may explode or leak.
- Never short-circuit the battery terminals.
- Use only batteries of the same or equivalent type, as recommended.
- Do not charge non-rechargeable batteries.
- Remove rechargeable batteries from the product before charging.
- If removable, rechargeable batteries are used, they are only to be charged under adult supervision.