



- Please keep this instruction sheet for future reference, as it contains important information.
- Adult assembly is required.
- Tools required for assembly: Phillips screwdriver and adjustable wrench (both not included)
- Ages: 4 years and up; Weight Limit: 110 lbs (50 kg)
- Before each use, check to make sure the fasteners are secure.
- Your product comes with replacement warning labels which you can apply over the factory applied warning label if English is not your primary language. Select the warning label with the appropriate language for you.

Consumer Information



WARNING

To avoid serious injury:

- Keep away from cars and other motor vehicles, streets, steep inclines, steps, sloped driveways, hills, roadways, alleys, swimming pools and other bodies of water.
- Protective equipment should be worn. Use helmet, wrist guards, kneepads and elbow pads.
- Always wear shoes.
- Never allow more than 1 rider.
- Never ride at night.
- Not for children with a body weight of more than 50 kg (110 lbs).
- Running or jumping onto skateboards can be dangerous.

IMPORTANT! Please take a few moments to review the following safety tips:

- Please use with caution as this product requires skill to operate safely to avoid falls, collisions, and injuries to yourself (the rider) and others.
- Adult supervision is required.
- Wear shoes or sneakers that provide good support. Do not wear open-toe shoes.
- Keep loose laces and pant legs away from the wheels.
- Choose areas for riding that are free of obstacles.
- Ride on smooth, paved surfaces away from motor vehicles.
- Avoid wet or uneven surfaces; sharp bumps, drainage grates, and other sudden surface changes, as this product may suddenly stop.
- Towing riders with bicycles or cars is unsafe.
- Never ride at night.
- Avoid colliding with pedestrians.
- Learn to stop safely.
- Avoid excessive speed associated with downhill rides.
- Do not use in a skateboard park or in any setting where more advanced skills and equipment are needed to perform trick and/or aerial maneuvers.

Helmet Use

Your child needs a helmet (not included) specifically designed for skateboarding. Skateboarding helmets can withstand multiple impacts and provide additional coverage for the back of the head.

Your child must always wear a helmet when using this product. Helmets reduce the energy of some impacts, minimizing or preventing head injuries. Make sure your child's helmet has a label stating/certifying conformance with the applicable certifying agency and includes the intended age requirement for use with a child. In addition, children ages 1 to 5 years require helmets specifically designed and labeled for younger children. These helmets cover a larger portion of the head and provide more protective coverage than any other helmets for older persons.

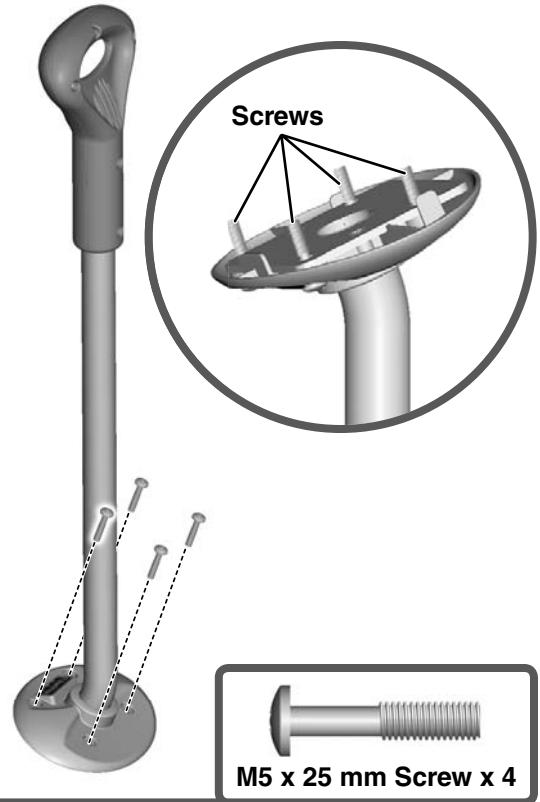
For maximum protection during an impact, the helmet must be properly secured to your child's head. The helmet must have a strap that goes under the chin with a buckle that stays securely fastened. The helmet should be worn level/low on the forehead, not tilted back. The chinstrap should be adjusted so there is no slack and it is firmly buckled (see helmet instructions). After securing the helmet to your child's head, test to be sure that the strap stays tight, the buckle remains secure and the helmet cannot be removed from your child's head by twisting or pulling the helmet. Remind your child to remove the helmet when playing on any kind of playground equipment or any place where the helmet may present a risk of strangulation.

If the helmet is involved in a crash, replace it or have it examined by the manufacturer before reuse.

One-Time Assembly

CAUTION

This product contains small parts in its unassembled state.
Adult assembly is required.



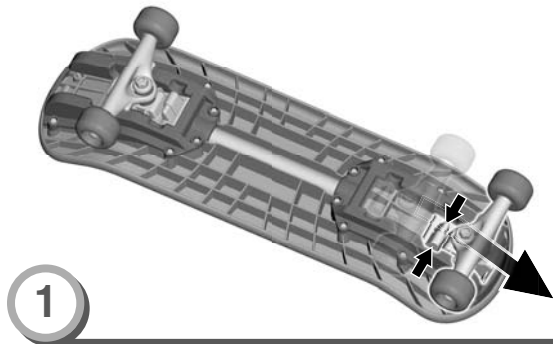
- Insert four M5 x 25 mm screws into the base of the handle.
- Hand-tighten the screws.
- Turn the handle upside-down to be sure the screws are attached to the base.

Hint: Once the screws are attached to the base of the handle, they cannot be removed.

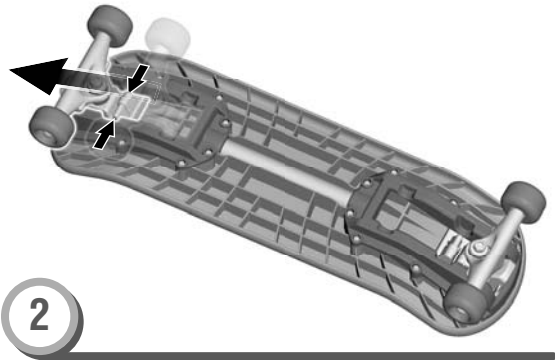
Stage 1



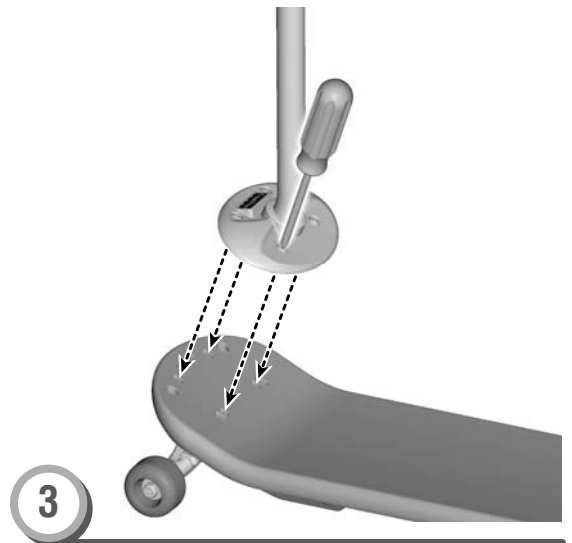
- Adjust the wheels so that they are closer to each end of the skateboard
- Attach the handle using the pre-assembled screws in the base of the handle.



- 1**
- Turn the board over so that the bottom is facing you.
 - While squeezing the levers behind the front wheels, slide the wheels toward the edge of the board.
 - Release the levers. Pull on the wheels to be sure they are secure.



- 2**
- While squeezing the levers behind the back wheels, slide the wheels toward the edge of the board.
 - Release the levers. Pull on the wheels to be sure they are secure.

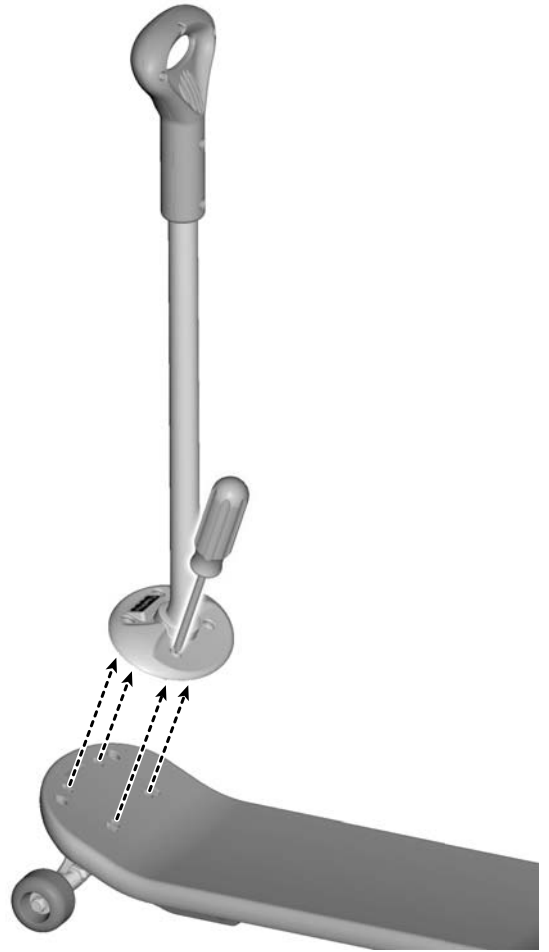


- 3**
- Turn the board upright.
 - Align the screws on the base of the handle with the holes in the front of the board.
- Hint:** The handle is designed to fit on the board one way. If it does not seem to fit, turn it around and try again.
- Tighten the screws with a Phillips screwdriver. Do not over-tighten.

Stage 2



- Remove the handle from the board.



- Loosen the screws in the base of the handle and remove it from the board.

Hint: *The pre-assembled screws cannot be completely removed from the base of the handle.*

- Store the handle for future use.



CONSUMER ASSISTANCE

1-800-432-5437 (US & Canada)

1300 135 312 (Australia)



service.fisher-price.com

Fisher-Price, Inc., 636 Girard Avenue, East Aurora, NY 14052.

Hearing-impaired consumers: 1-800-382-7470.

Outside the United States:

Canada: Mattel Canada Inc., 6155 Freemont Blvd.,
Mississauga, Ontario L5R 3W2; www.service.mattel.com.

Great Britain: Mattel UK Ltd, Vanwall Business Park,
Maidenhead SL6 4UB. Helpline: 01628 500303.
www.service.mattel.com/uk

Mattel Europa, B.V., Gondel 1, 1186 MJ Amstelveen, Nederland.

Australia: Mattel Australia Pty. Ltd., 658 Church Street,
Locked Bag #870, Richmond, Victoria 3121 Australia.

New Zealand: 16-18 William Pickering Drive,
Albany 1331, Auckland.

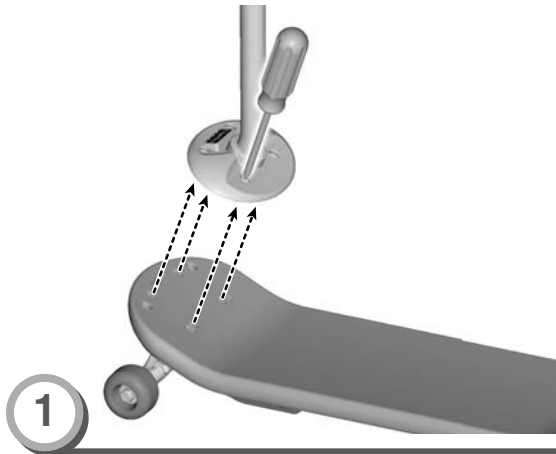
Care

- Periodically inspect this product for wear or damage. Check all nuts and bolts, and tighten as needed.
- Replace worn or broken parts immediately.
- Wipe clean with a mild soap and water solution and a damp cloth. Rinse clean with water to remove soap residue.

Stage 3



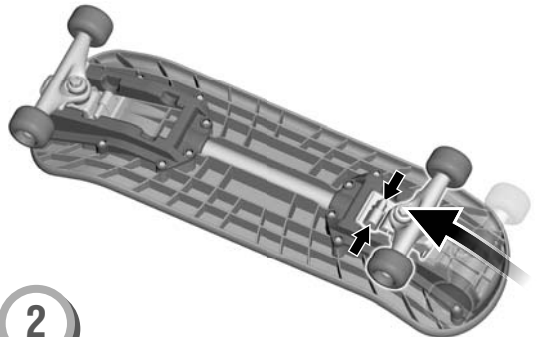
- Remove the handle from the board.
- Adjust the wheels so that they are closer to the middle of the board.



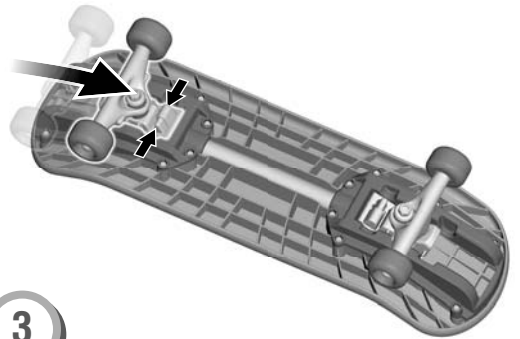
- Loosen the screws in the base of the handle and remove it from the board.

Hint: The pre-assembled screws cannot be completely removed from the base of the handle.

- Store the handle for future use.

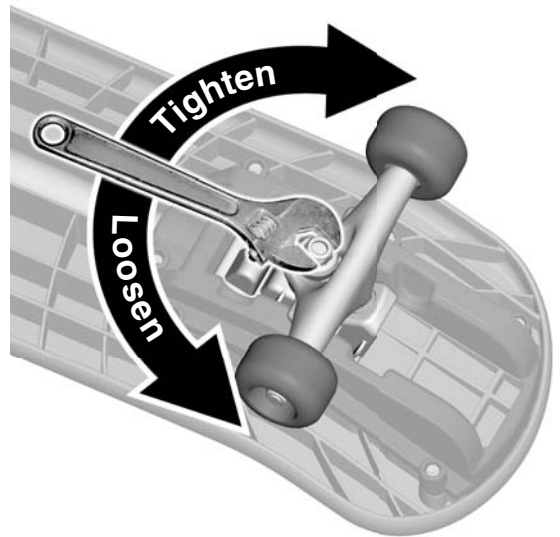
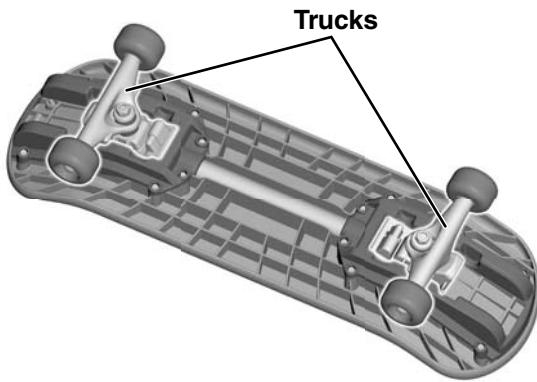


- Turn the board over.
- While squeezing the levers behind the front wheels, slide the wheels toward the center of the board.
- Release the levers. Pull on the wheels to be sure they are secure.



- While squeezing the levers behind the back wheels, slide the wheels toward the center of the board.
- Release the levers. Pull on the wheels to be sure they are secure.

Truck Adjustment



-
- The trucks are adjusted at the factory to the tightest setting for beginner use to provide the greatest stability. As your child becomes more comfortable and has better balance, you can adjust the trucks to a looser setting that will increase steering control.

-
- Turn the board over and locate the trucks on each end of the board.
 - Using an adjustable wrench, turn each nut to loosen the setting.

IMPORTANT! Loosening or tightening the trucks only requires a few turns. Check to be sure the trucks were not loosened too much! Pull on both trucks to be sure they are secured to the board. If you can remove either truck, it was loosened too much. Replace the truck on the board and tighten the nut with an adjustable wrench.