

Fisher-Price®

T5508



www.fisher-price.com

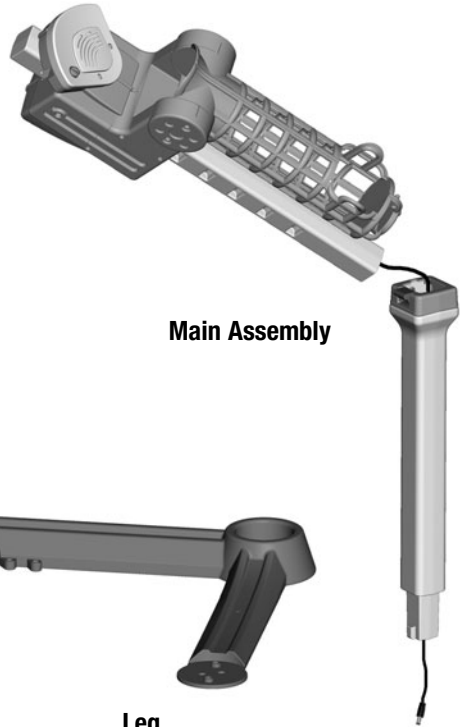
Assembled Parts



Lower Arm



Upper Arm



Main Assembly



Leg with Button



Leg



Tether



Home Plate



Base



#6 x 5/8" (1,6 cm) Screw - 14

SHOWN ACTUAL SIZE

**Note: Tighten and loosen
all screws with a
Phillips Screwdriver.**

Do not over-tighten the screws.

Consumer Information



CAUTION

This product contains small parts
in its unassembled state.
Adult assembly is required.

- Please keep this instruction sheet for future reference, as it contains important information.
- Adult assembly is required.
- Tool needed for assembly: Phillips Screwdriver (not included).
- Requires three “C” (LR14) **alkaline** batteries (not included) for operation.



CONSUMER ASSISTANCE

1-800-432-5437 (US & Canada)
1300 135 312 (Australia)

service.fisher-price.com

Fisher-Price, Inc., 636 Girard Avenue, East Aurora, NY 14052.
Hearing-impaired consumers: 1-800-382-7470.

Outside the United States:

Canada: Mattel Canada Inc., 6155 Freemont Blvd.,
Mississauga, Ontario L5R 3W2; www.service.mattel.com.

Great Britain: Mattel UK Ltd, Vanwall Business Park,
Maidenhead SL6 4UB. Helpline: 01628 500303.
www.service.mattel.com/uk

Mattel Europa, B.V., Gondel 1, 1186 MJ Amstelveen, Nederland.

Australia: Mattel Australia Pty. Ltd., 658 Church Street,
Locked Bag #870, Richmond, Victoria 3121 Australia.

New Zealand: 16-18 William Pickering Drive,
Albany 1331, Auckland.

ICES-003

This Class B digital apparatus complies with Canadian ICES-003.

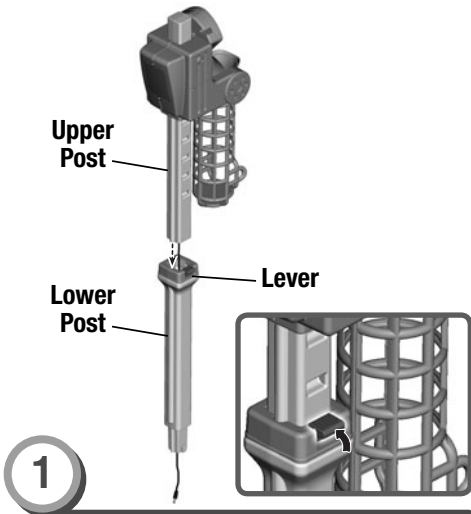
Operation is subject to the following two conditions: (1) this device may not cause harmful interference and (2) this device must accept any interference received, including interference that may cause undesired operation.

NMB-003

Cet appareil numérique de la classe B est conforme à la norme NMB-003 du Canada.

L'utilisation de ce dispositif est autorisée seulement aux conditions suivantes : (1) il ne doit pas produire de brouillage et (2) l'utilisateur du dispositif doit être prêt à accepter tout brouillage radioélectrique reçu, même si ce brouillage est susceptible de compromettre le fonctionnement du dispositif.

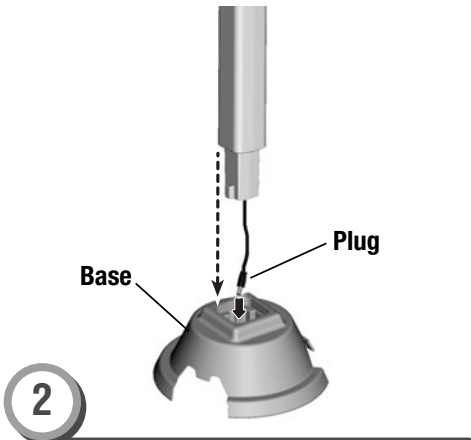
Assembly



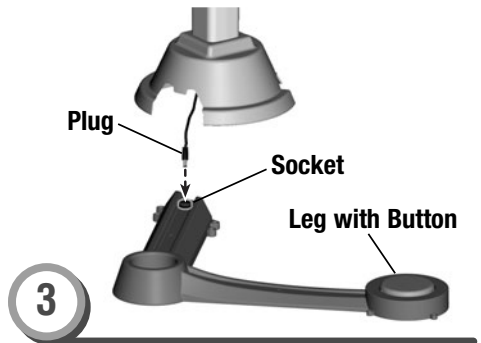
- Align the rib on the upper post to the groove in the lower post (on the main assembly). Slide the upper post into the lower post.

Hint: This will require some force.

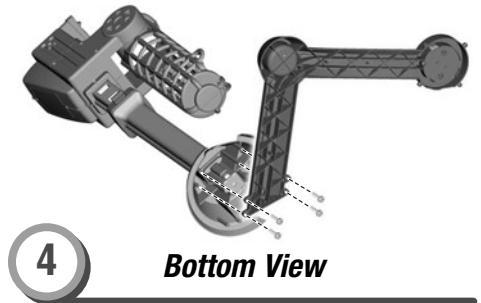
- Push the lever into one of the slots on the side of the upper post.



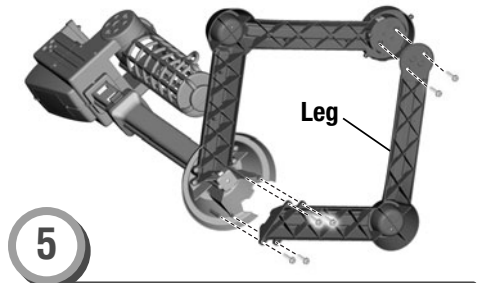
- Feed the plug on the end of the lower post through the hole in the base.
- **"Snap"** the lower post into the base.



- Fit the plug coming from the underside of the base into the socket in the leg with the button.



- Turn the assembly on its side.
- Fit the base onto the leg with the button, as shown.
- Insert four screws into the bottom of the leg and tighten.

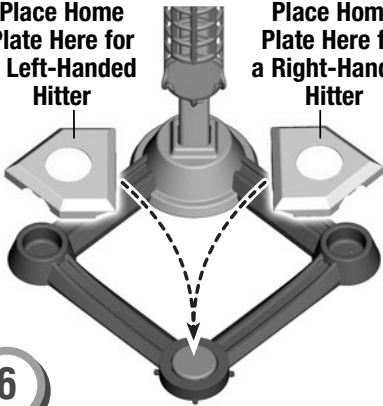


- Fit the other leg to the assembly as shown.
- Insert six screws into the leg and tighten.

Assembly

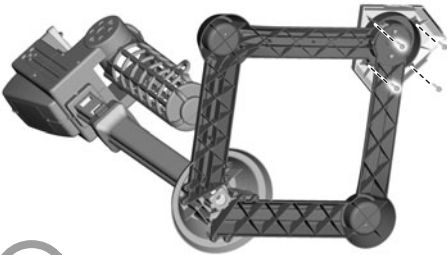
Place Home Plate Here for a Left-Handed Hitter

Place Home Plate Here for a Right-Handed Hitter



6

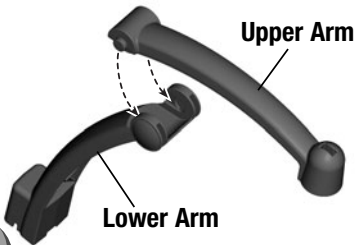
- Set the assembly upright.
- Place home plate over the the button on the leg assembly for either a left or right-handed batter, as shown.



7

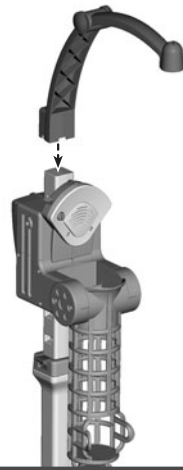
Bottom View

- Turn the assembly on its side.
- Insert four screws into the leg assembly and tighten.



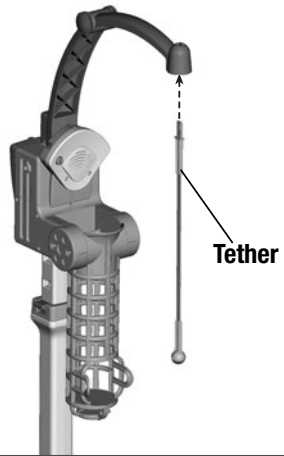
8

- "Snap" the upper arm to the lower arm.



9

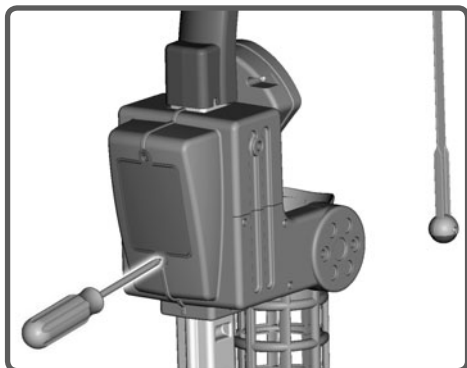
- "Snap" the arm assembly to the top of the main assembly.



10

- "Snap" the tether up into the arm.

Battery Installation



- Locate the battery compartment on the toy.
- Loosen the screws in the battery compartment door with a Phillips screwdriver. Remove the battery compartment door.
- Insert three "C" (LR14) **alkaline** batteries, as indicated inside the battery compartment.

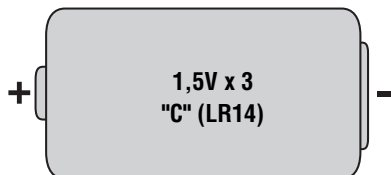
Hint: We recommend using **alkaline** batteries for longer battery life.

- Replace the battery compartment door and tighten the screws with a Phillips screwdriver. Do not over-tighten.
- If this product begins to operate erratically, you may need to reset the electronics. Slide the power switch off and then back on.
- When sounds become faint or stop, it's time for an adult to change the batteries!



- Protect the environment by not disposing of this product with household waste (2002/96/EC). Check your local authority for recycling advice and facilities (Europe only).

Battery Safety Information

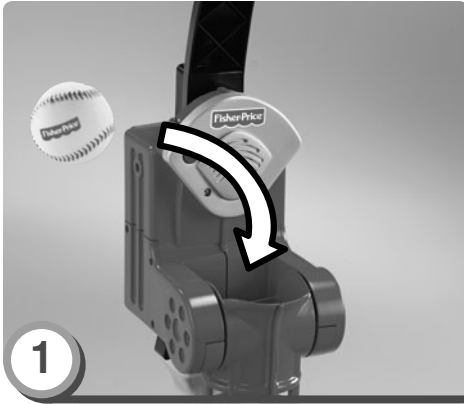


In exceptional circumstances, batteries may leak fluids that can cause a chemical burn injury or ruin your product. To avoid battery leakage:

- Do not mix old and new batteries or batteries of different types: alkaline, standard (carbon-zinc) or rechargeable (nickel-cadmium).
- Insert batteries as indicated inside the battery compartment.
- Remove batteries during long periods of non-use. Always remove exhausted batteries from the product. Dispose of batteries safely. Do not dispose of this product in a fire. The batteries inside may explode or leak.
- Never short-circuit the battery terminals.
- Use only batteries of the same or equivalent type, as recommended.
- Do not charge non-rechargeable batteries.
- Remove rechargeable batteries from the product before charging.
- If removable, rechargeable batteries are used, they are only to be charged under adult supervision.

Step-up to the Plate!

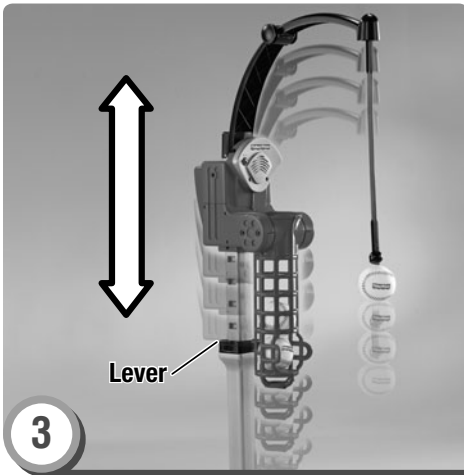
IMPORTANT! Only use balls supplied with this toy.



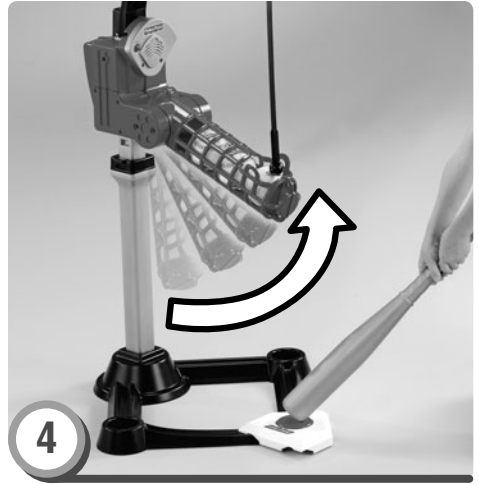
- Load the balls into the cage.



- Turn the power switch to ON.



- Lift the lever and raise or lower the post to the appropriate height for your child.
- Push the lever into one of the slots on the side of the upper post to secure the height.



- Tap home plate with the end of your bat to load a ball.

Hint: For best results, make sure the balls are clean and dry.



- Swing and hit the ball.
- Tap home plate again to load another ball.
- When you're finished playing with the toy, turn the power switch to OFF.

Consumer Information

Batting tips

- We recommend that this toy be used outdoors.
- Do not use outdoors when it is raining or there is wet grass. The balls will not load properly.
- Be sure that when your child is batting, there are no other children in or around the batting area, including directly in front of the toy.
- This toy is designed for use with soft balls and plastic bat (both included). It is not designed for use with wooden or metal bats, or regulation baseballs or softballs. Use of these balls and bats may damage this toy.
- Hold the bat with hands together, about one or two inches (5 cm) from the knob at the end of the bat.
 - Right-handed batters should have the right hand on top of the left hand.
 - Left-handed batters should have the left hand on top of the right hand.
- Stand with feet about shoulder width apart.
- Swing with a smooth and level motion.

Care

- Do not leave this product outdoors. Store this product indoors when not in use.
- This product may be wiped clean using a mild cleaning solution and a damp cloth. Do not use bleach. Do not use harsh or abrasive cleaners. Rinse clean with water to remove residue. Do not immerse this product.
- For best performance, keep balls clean and dry.
- Periodically inspect this product for wear and damage and replace any cracked parts.

FCC Statement (United States Only)

This equipment has been tested and found to comply with the limits for a Class B digital device, pursuant to Part 15 of the FCC Rules. These limits are designed to provide reasonable protection against harmful interference in a residential installation. This equipment generates, uses and can radiate radio frequency energy and, if not installed and used in accordance with the instructions, may cause harmful interference to radio communications. However, there is no guarantee that interference will not occur in a particular installation. If this equipment does cause harmful interference to radio or television reception, which can be determined by turning the equipment off and on, the user is encouraged to try to correct the interference by one or more of the following measures:

- Reorient or relocate the receiving antenna.
- Increase the separation between the equipment and receiver.
- Consult the dealer or an experienced radio/TV technician for help.

Note: Changes or modifications not expressly approved by the manufacturer responsible for compliance could void the user's authority to operate the equipment.

This device complies with Part 15 of the FCC Rules. Operation is subject to the following two conditions: (1) this device may not cause harmful interference and (2) this device must accept any interference received, including interference that may cause undesired operation.