

**Fisher-Price®**

**P5331**



**fisher-price.com**

# Consumer Information

## WARNING

To prevent entanglement injury, never place gym in a crib or playpen. Never add strings, ties or other products to the gym.



## CONSUMER ASSISTANCE

1-800-432-5437 (US & Canada)  
1300 135 312 (Australia)

[service.fisher-price.com](http://www.service.fisher-price.com)

Fisher-Price, Inc., 636 Girard Avenue, East Aurora, NY 14052.  
Hearing-impaired consumers: 1-800-382-7470.

### Outside the United States:

Canada: Mattel Canada Inc., 6155 Freemont Blvd., Mississauga, Ontario L5R 3W2; [www.service.mattel.com](http://www.service.mattel.com).

Great Britain: Mattel UK Ltd, Vanwall Business Park, Maidenhead SL6 4UB. Helpline: 01628 500303.  
[www.service.mattel.com/uk](http://www.service.mattel.com/uk)

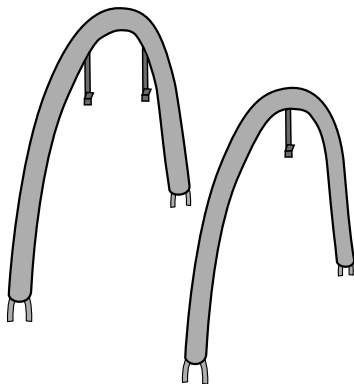
Mattel Europa B.V., Gondel 1, 1186MJ Amstelveen, Nederland.

Australia: Mattel Australia Pty. Ltd., 658 Church Street, Locked Bag #870, Richmond, Victoria 3121 Australia.

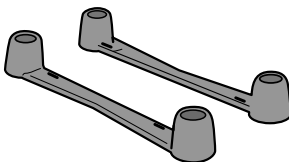
New Zealand: 16-18 William Pickering Drive, Albany 1331, Auckland.

- Please keep this instruction sheet for future reference, as it contains important information.
- Adult assembly is required. No tools required for assembly.
- Machine wash the play quilt in cold water on the gentle cycle. Do not use bleach. Tumble dry on low heat.
- Surface wash the tubes, toys, ball and supports with a mild cleaning solution and damp cloth. Do not use bleach. Rinse clean to remove residue.

## Parts



2 Tubes

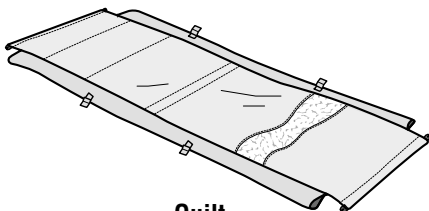


2 Supports



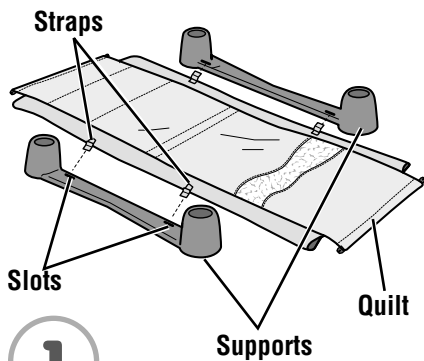
2 Hanging Toys

Inflatable Ball

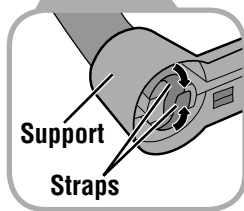
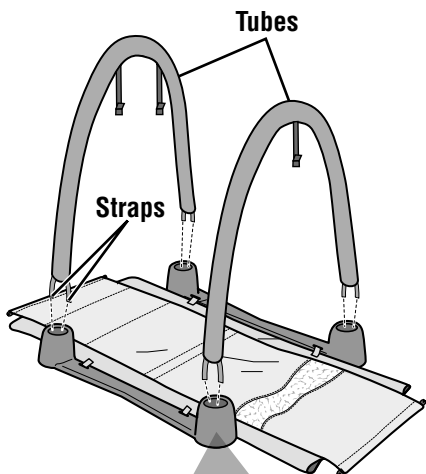


Quilt

# Play Gym & Tummy Time Play

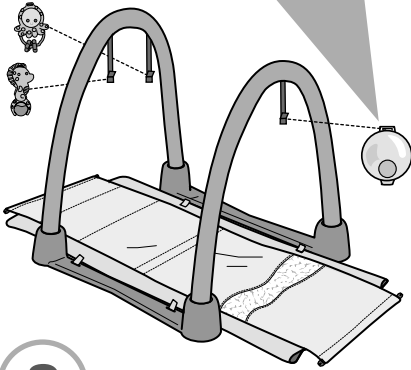
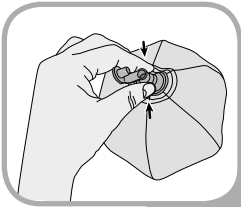


- Place the quilt, print side up, on a flat surface.
- Fit the "T" end of each strap on the quilt through the slots in the supports. Pull up on the quilt to be sure it is secure.



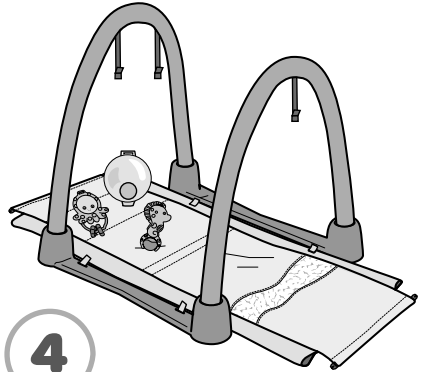
- Locate both straps on the bottom of one of the tubes.
- Fit the ends of each strap into the support post.
- Turn the support over and fasten the straps.
- Repeat this procedure to attach the remaining tube ends to the supports.

# Play Gym & Tummy Time Play



3

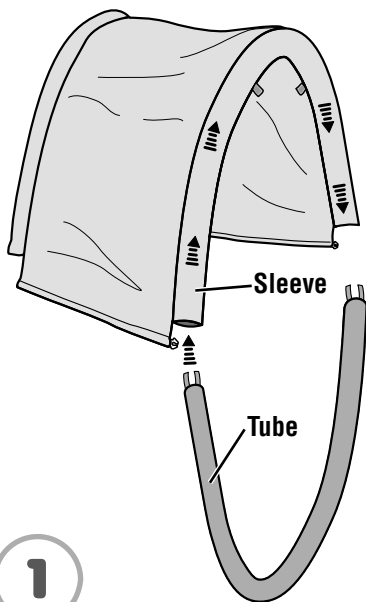
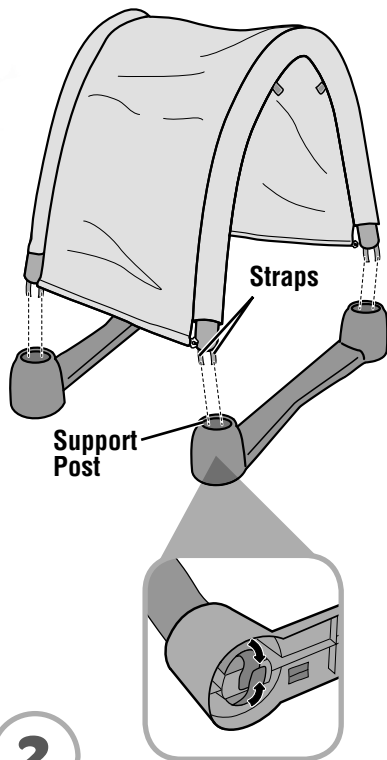
- Squeeze the stem to inflate the ball.
- Fasten the toys and inflatable ball to the straps on the arches.



4

- Remove the toys and inflatable ball from the straps on the arches.
- Place the toys on the quilt for baby.

# Crawl-Through Fun



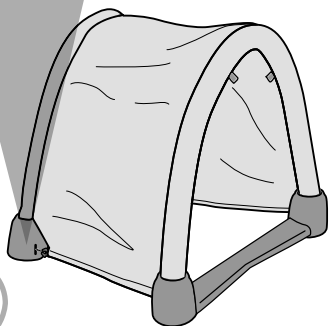
**1**

- Slide each tube through the sleeve in each side of the quilt.

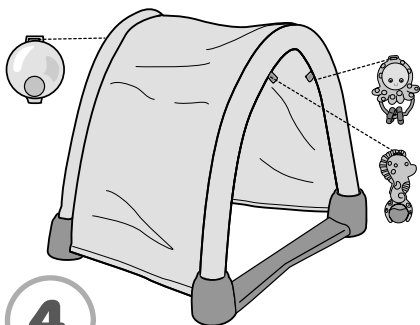
**2**

- Position the supports so the slots are facing inward.
- Locate both straps on the bottom of one of the tubes.
- Fit the ends of each strap into the support post.
- Turn the support over and fasten the straps.
- Repeat this procedure to attach the remaining tube ends to the supports.

# Crawl-Through Fun



- Fit the plastic tabs on each end of the quilt into the slots in the supports.



- Attach the toys and the ball to the fasteners on the sleeves.