



Please keep this instruction sheet for future reference,
as it contains important information.

Requires three "D" (LR20) **alkaline** batteries for the mobile and
two "AA" (LR6) **alkaline** batteries for the remote (batteries not included).

Adult assembly required.

Tool required for assembly: Phillips screwdriver (not included).

Consumer Information



WARNING

Prevent Entanglement Injury

- Keep mobile out of baby's reach
- Remove mobile portion of product from crib or playpen when baby begins to push up on hands and knees.
- This product may not attach to all crib designs. Do not add additional strings or straps to attach to crib or playpen.
- Use ONLY attached to a crib or playpen.

IMPORTANT! Always attach with all provided fasteners tightly to a crib or playpen according to the instructions. Do not add additional strings or straps to attach to a crib. Check frequently. The mobile portion of this product may be used from birth until 5 months. The base portion of this product may be used from birth until 24 months. A crib mobile is intended for visual stimulation and is not to be grasped by a child.

Care

- Wipe this toy with a clean cloth dampened with a mild soap and water solution. Do not immerse this toy.
- This toy has no consumer serviceable parts. Do not take this toy apart.
- Protect the environment by not disposing of this product with household waste (2002/96/EC). Check your local authority for recycling advice and facilities.

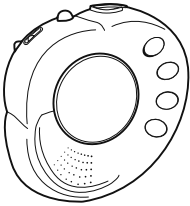


Battery Safety Information

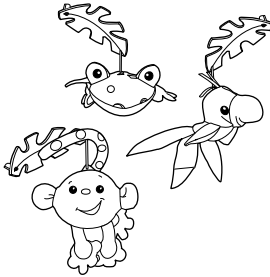
In exceptional circumstances, batteries may leak fluids that can cause a chemical burn injury or ruin your product. To avoid battery leakage:

- Do not mix old and new batteries or batteries of different types: alkaline, standard (carbon-zinc) or rechargeable (nickel-cadmium).
- Insert batteries as indicated inside the battery compartment.
- Remove batteries during long periods of non-use. Always remove exhausted batteries from the product. Dispose of batteries safely. Do not dispose of this product in a fire. The batteries inside may explode or leak.
- Never short-circuit the battery terminals.
- Use only batteries of the same or equivalent type, as recommended.
- Do not charge non-rechargeable batteries.
- Remove rechargeable batteries from the product before charging.
- If removable, rechargeable batteries are used, they are only to be charged under adult supervision.

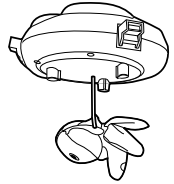
Parts



Base



3 Soft Toys



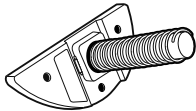
Mobile Hub



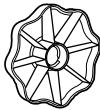
Remote



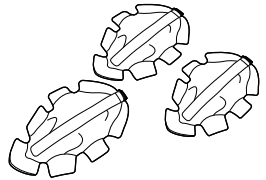
Arm



Crib Adaptor



Clamp

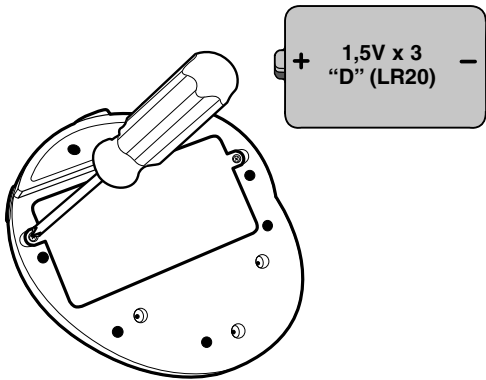


3 Leaves

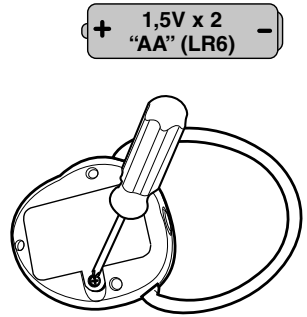
Note: All of the screws used to assemble this toy are attached to the product. Follow these instructions carefully to fully secure the screws. Tighten and loosen all screws with a Phillips screwdriver. Do not over-tighten.

Battery Installation

*Hint: We recommend using **alkaline** batteries for longer battery life.*



Mobile Base



Remote

-
- Loosen the screws in mobile base battery compartment door and remove the door.

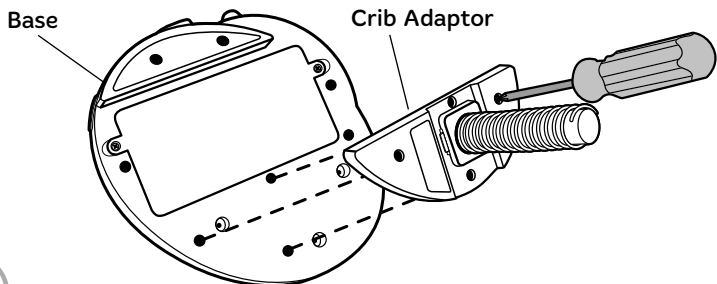
Hint: If the crib adaptor is attached to the base, loosen the screws in the crib adaptor and remove first.

- Insert three "D" (LR20) **alkaline** batteries.
- Loosen the screw in the remote battery compartment door and remove the door.
- Insert two "AA" (LR6) **alkaline** batteries.
- Replace each battery compartment door and tighten the screws.

Note: Under normal use conditions, the batteries in the base will require replacement more often than the batteries in the remote. When sounds or light become faint or movement of the mobile is sluggish, it's time for an adult to replace the batteries in the base.

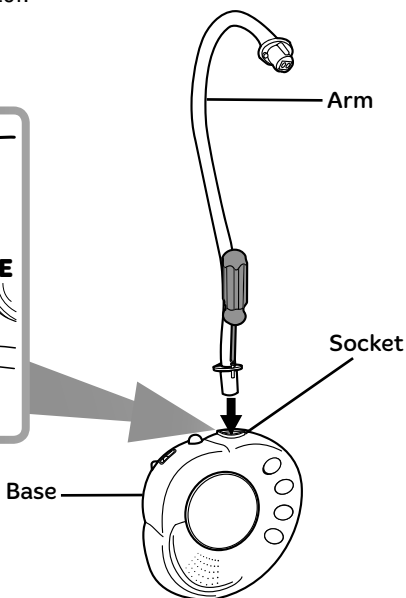
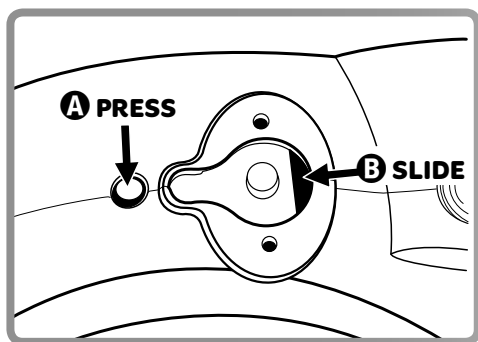
- If the mobile base begins to operate erratically, you may need to reset the electronics. Slide the power/volume switch off and back on. If the remote begins to operate erratically, you may need to reset the electronics. Remove the batteries and reinstall them.

Assembly



1

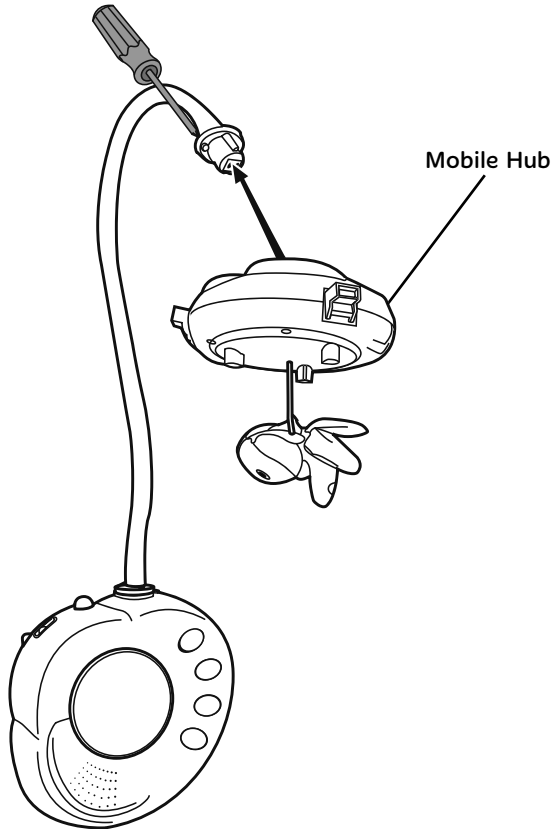
- Fit the crib adaptor to the base.
- Tighten the four screws in the crib adaptor.



2

- First press the button next to the socket **A** and then slide the socket door open **B**.
- Fit the arm into the socket in the base.
- Tighten both screws in the arm.

Assembly



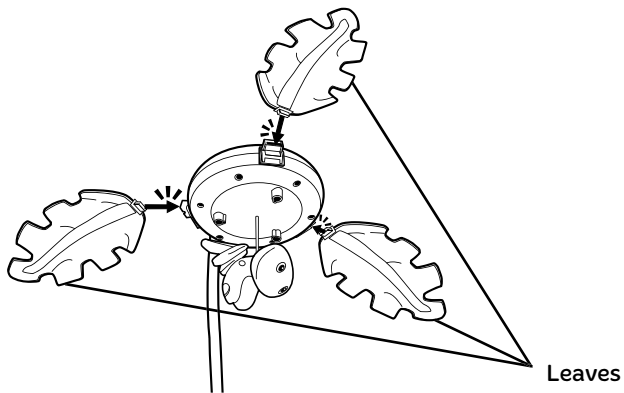
3

- Fit the mobile hub onto the end of the arm.
- Tighten both screws in the arm to secure the mobile hub.

Hint: You may want to attach the soft toys to the mobile hub before assembling the arm to the mobile hub. Please refer to assembly step 5 for instructions to assemble the soft toys.

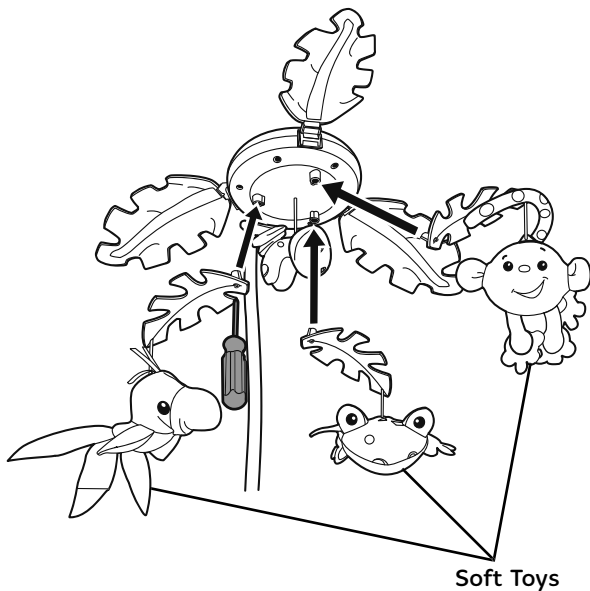
Assembly

4



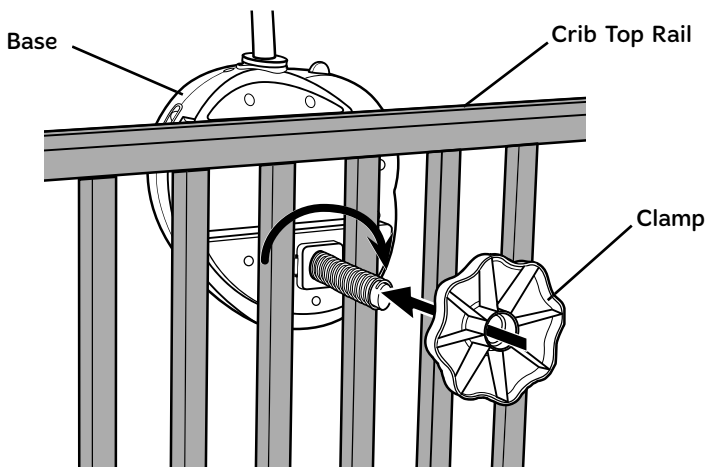
- “Snap” the leaves into the slots in the mobile hub.

5

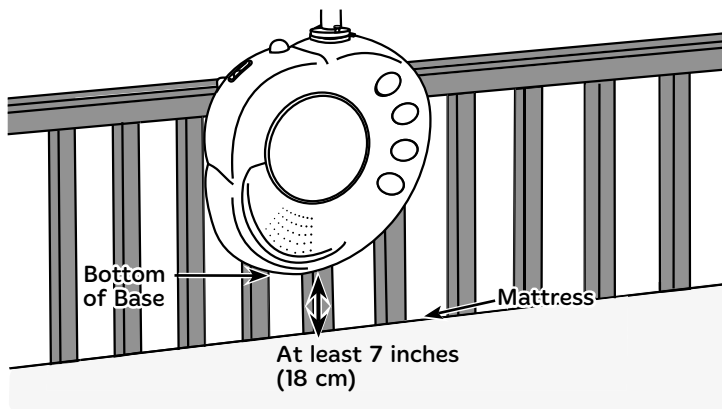


- Fit the soft toys to the pegs on the underside of the mobile hub.
- Tighten the screw in each toy to secure each to the mobile hub.

Crib Attachment

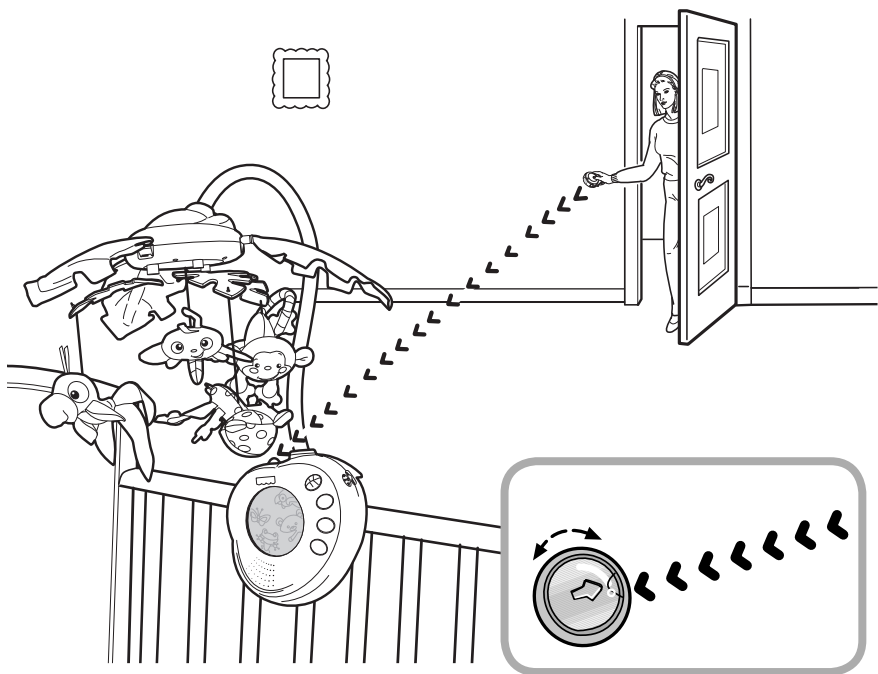


- Fit the base onto the crib top rail, so that the threaded peg extends outside the crib.
- Fit the clamp onto the threaded peg and turn the clamp clockwise to secure the base to the crib. Do not over-tighten the clamp.



- If the distance between the bottom of the base and the mattress is less than 7 inches (18 cm), lower the crib mattress.

Remote Use



- Press the button on the remote to activate music, lights and motion.
- Press again to stop.
- In the unlikely event that use of the remote interferes with normal use of other remote controlled equipment, such as televisions or stereos, or use of other electronic or battery powered appliances interfere with operation of the mobile, do not use both at the same time.
- You may notice a loss of range between the remote and the mobile when using in bright light. For best performance, avoid using the remote in areas of bright light. Move the mobile, or reduce the amount of light to improve performance.
- Position the mobile so that the receiver arrow points towards the area that the remote will be used. Make sure there is a clear path between the remote and the mobile. Point the end of the remote toward the mobile receiver and press the button.

Note: The remote will remain active for about one hour. Slide the power/volume switch on the mobile off, then on again to reactivate.

Classical Music, Rainforest Sounds, Lights and Motion

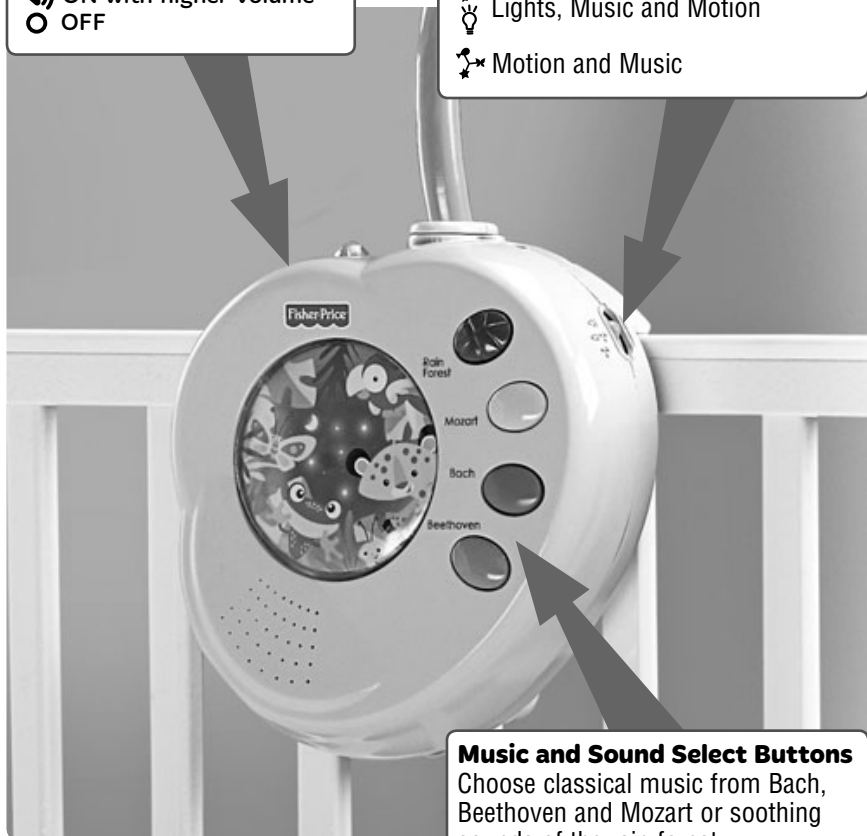
Power/Volume Switch

Choose from three settings:

- 🔊 ON with low volume
- 🔊 ON with higher volume
- ⏻ OFF

Lights and Motion Select Switch

- 💡 Lights and Music
- 💡🔊🌀 Lights, Music and Motion
- 🔊🌀 Motion and Music

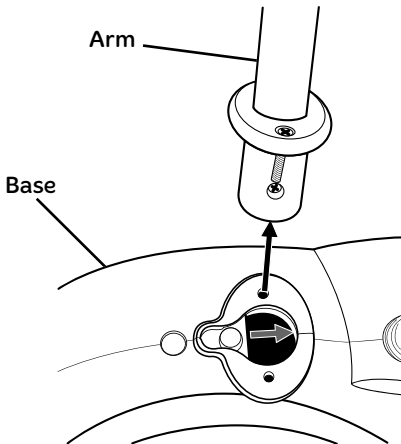


Music and Sound Select Buttons

Choose classical music from Bach, Beethoven and Mozart or soothing sounds of the rain forest.

Convert to a Cribside Music Box

Remove the mobile and use as a music box with a night light!



- Loosen both screws in the arm near the base.
- Lift and remove the arm with mobile from the base.
- Close the small door on top of the base. Store the mobile in a safe place for future use.

CONSUMER ASSISTANCE
 1-800-432-5437 (US & Canada)
 1300 135 312 (Australia)

service.fisher-price.com

Fisher-Price, Inc., 636 Girard Avenue, East Aurora, NY 14052.
 Hearing-impaired consumers: 1-800-382-7470.

Outside the United States:

Canada: Mattel Canada Inc., 6155 Freemont Blvd.,
 Mississauga, Ontario L5R 3W2; www.service.mattel.com.

Great Britain: Mattel UK Ltd, Vanwall Business Park,
 Maidenhead SL6 4UB. Helpline: 01628 500303.
 www.service.mattel.com/uk

Mattel Europa B.V., Gondel 1, 1186 MJ Amstelveen, Nederland.

Australia: Mattel Australia Pty. Ltd., 658 Church Street,
 Locked Bag #870, Richmond, Victoria 3121. Australia.

New Zealand: 16-18 William Pickering Drive,
 Albany 1331, Auckland.

ICES-003

This Class B digital apparatus complies with Canadian ICES-003. Operation is subject to the following two conditions: (1) this device may not cause harmful interference and (2) this device must accept any interference received, including interference that may cause undesired operation.

NMB-003

Cet appareil numérique de la classe B est conforme à la norme NMB-003 du Canada. L'utilisation de ce dispositif est autorisée seulement aux conditions suivantes : (1) il ne doit pas produire de brouillage et (2) l'utilisateur du dispositif doit être prêt à accepter tout brouillage radioélectrique reçu, même si ce brouillage est susceptible de compromettre le fonctionnement du dispositif.

FCC Statement (United States Only)

This equipment has been tested and found to comply with the limits for a Class B digital device, pursuant to Part 15 of the FCC Rules. These limits are designed to provide reasonable protection against harmful interference in a residential installation. This equipment generates, uses and can radiate radio frequency energy and, if not installed and used in accordance with the instructions, may cause harmful interference to radio communications. However, there is no guarantee that interference will not occur in a particular installation. If this equipment does cause harmful interference to radio or television reception, which can be determined by turning the equipment off and on, the user is encouraged to try to correct the interference by one or more of the following measures:

- Reorient or relocate the receiving antenna.
- Increase the separation between the equipment and receiver.
- Consult the dealer or an experienced radio/TV technician for help.

Note: Changes or modifications not expressly approved by the manufacturer responsible for compliance could void the user's authority to operate the equipment. This device complies with Part 15 of the FCC Rules. Operation is subject to the following two conditions: (1) This device may not cause harmful interference and (2) this device must accept any interference received, including interference that may cause undesired operation.