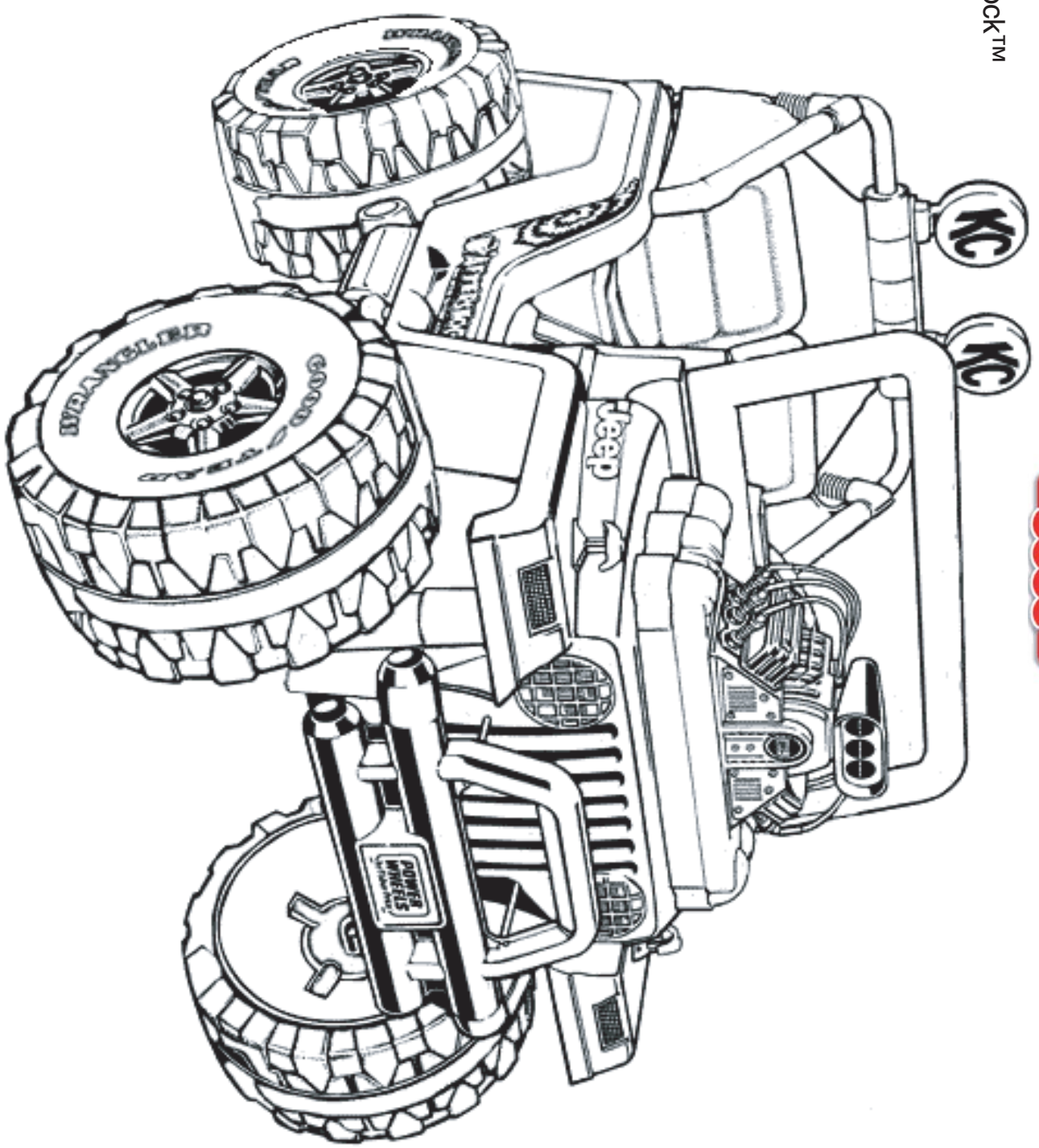




Jeep® Aftershock™



Jeep and the Jeep grille design are registered trademarks of DaimlerChrysler Corporation and are used under license. ©DaimlerChrysler Corporation.
Goodyear (and winged foot design) and Wrangler (for tires) are trademarks of The Goodyear Tire & Rubber Company, used with permission.
Fisher-Price, Power Wheels, BARBIE, and Splash are U.S. trademarks of Mattel, Inc.
©Mattel, Inc. All Rights Reserved.